

INSTALLATION INSTRUCTIONS FOR FLOAT SWITCH KIT
(LB-106842A; 60W18) USED WITH L SERIES UNITS

Shipping and Packing List

Package 1 of 1 contains:

- 1- Overflow (float) switch (S149)
- 1- Locknut
- 2- Brackets
- 2- Screws #8-32 X 1/2"
- 2- Wires
- 2- Wire nuts
- 15- Wire ties

Application

The float switch is used to energize the service light and de-energize the rooftop unit when excessive condensate collects in the drain pan.

The float switch will open 3 times (default) before the IMC board output is activated (P113-3). Refer to the IMC manual provided with each unit and ECTO parameter 5.08 to change the number of times the switch will open before de-energizing the unit. Also refer to IMC error code 20 and 21.

⚠ WARNING

Improper installation, adjustment, alteration, service or maintenance can cause property damage, personal injury or loss of life. Installation and service must be performed by a licensed professional HVAC installer or equivalent, service agency, or the gas supplier

⚠ CAUTION

Danger of sharp metallic edges. Can cause injury. Take care and wear protective clothing when servicing unit to avoid accidental contact with sharp edges.

Installation

- 1- Disconnect all electrical power to unit and open control access door.
- 2- Secure float switch assembly to C-shaped bracket using locknut. See figure 1.
- 3- Remove panel covering the condensate drain pipe.
- 4- Install the drain pan float switch assembly as shown in figure 1. Position the square bracket on the inside of the pan and the C-shaped bracket on the outside; use screws to secure assembly to side of drain pan.
- 5- *No S42 or A42 Option -*
Locate the 1/4" quick-connect with wires marked 95 and 96 between TB34-1 and P110-9 (M1 board) in control area. Cut wire ties holding bundles of wiring if necessary.

With S42 or A42 Option -
Locate the 1/4" quick-connect between P110-9 (M1 board) and A42 or S42. The lead from P110-9 should be marked 95.

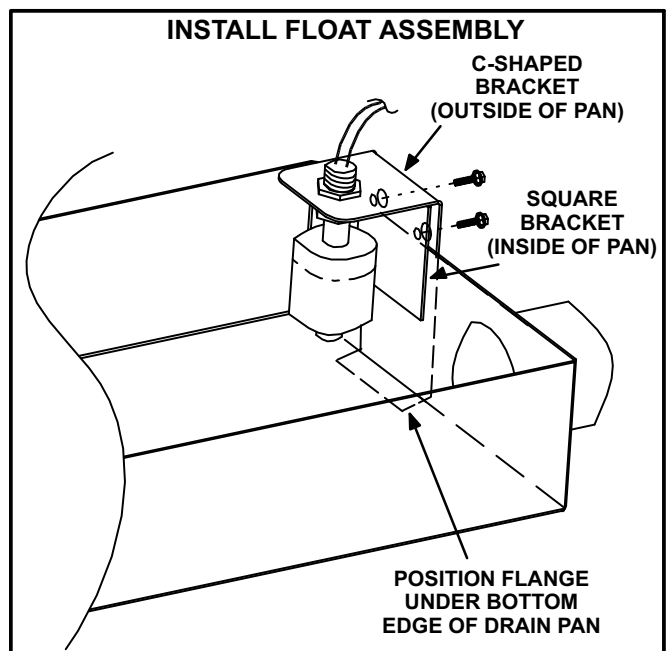


FIGURE 1

6- *No S42 or A42 Option -*

Disconnect 95 and 96 and insert wires provided in kit as shown in figure 2. Route wires to float switch on condensate pan; follow existing unit wiring to freezestats on indoor coil return bends.

With S42 or A42 Option -

Disconnect A42/S42 lead from wire marked 95 and insert wires provided in kit. See figure 3. Route wires to float switch on condensate pan; follow existing unit wiring to freezestats on indoor coil return bends.

- 7- Remove excess wiring from kit wires and connect to float switch leads. Use wire ties to secure connections above the drain pan.
- 8- Re-install the panel which covered the condensate drain pan and close all access doors.
- 9- Restore power to unit.

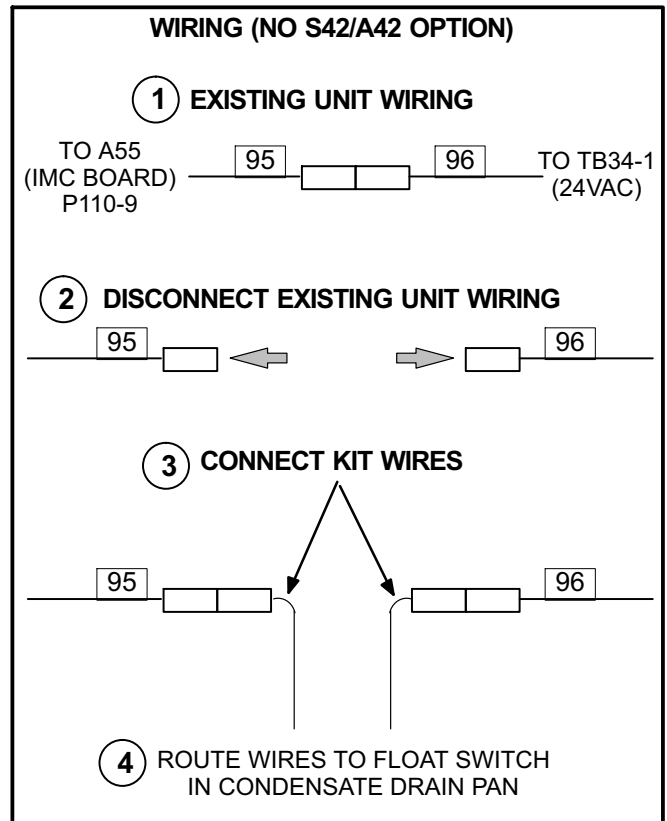


FIGURE 2

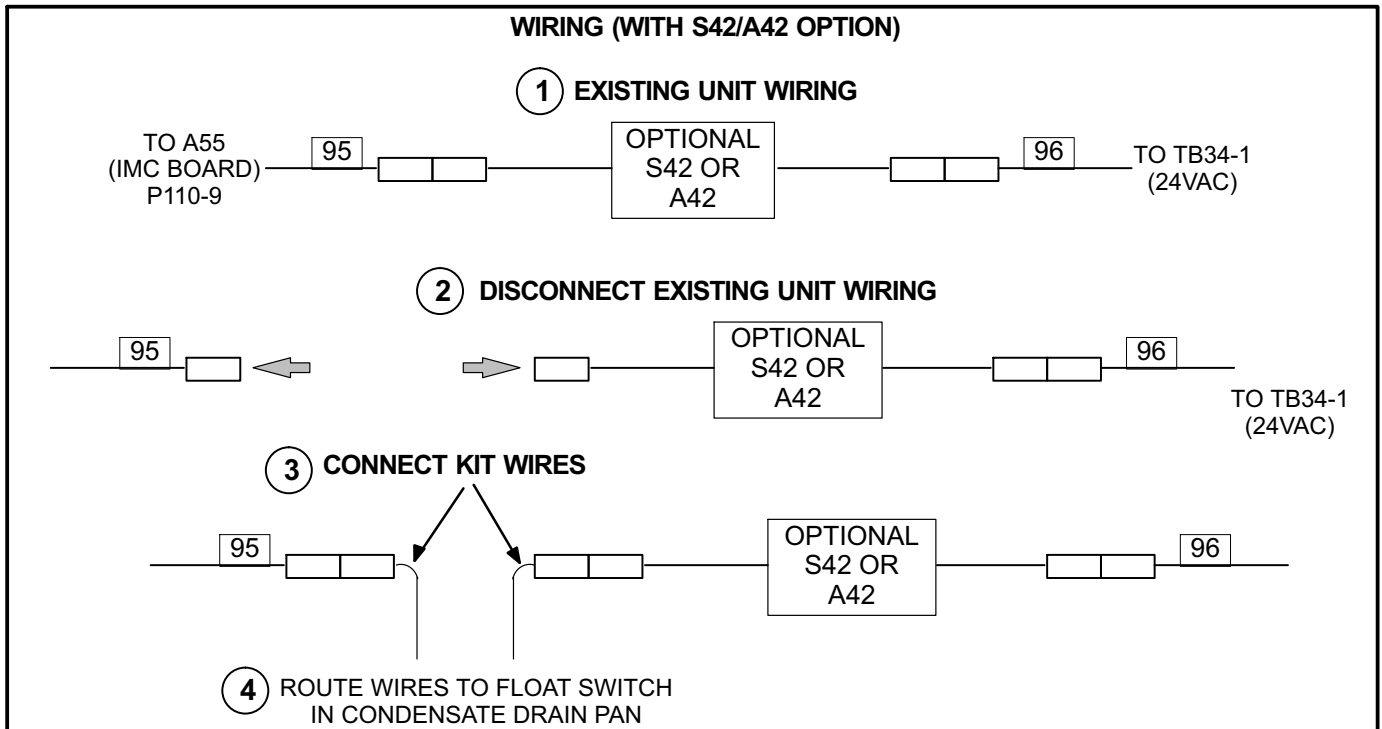


FIGURE 3