



INSTALLATION PROCEDURE

507574-01
August 15, 2015

Procedure for Securing Outdoor Air Conditioners and Heat Pumps to a Concrete or Plastic Mounting Slab, Deck Top or Field-Provided Frame

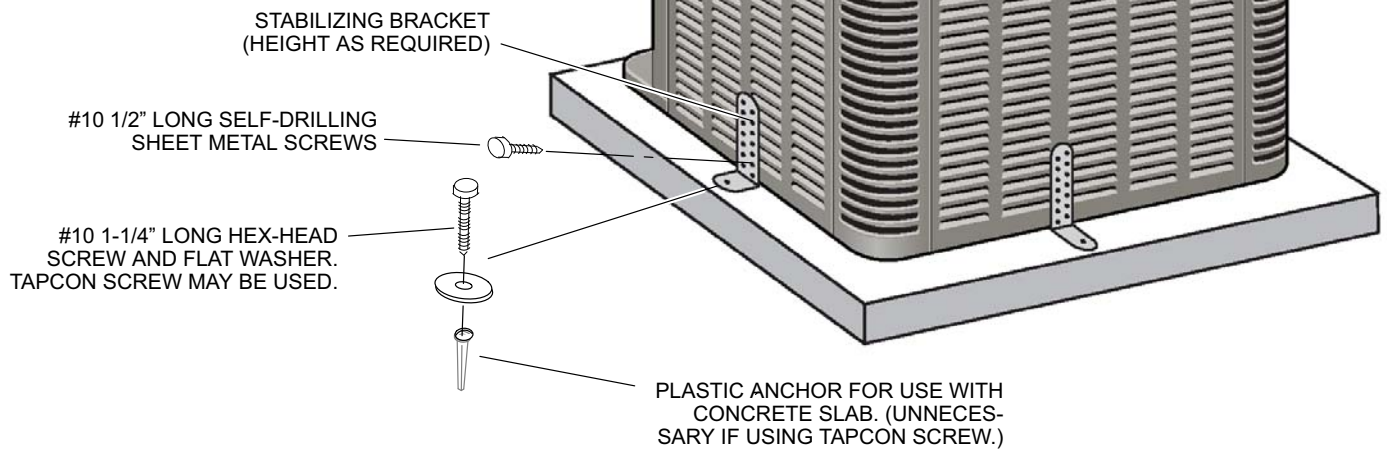
Follow the procedure outlined below to secure outdoor air-conditioners and heat pumps to a mounting slab or deck top.

NOTE: If unit is installed on wooden slab or deck, or on field-provided frame of suitable material, secure unit using a minimum of four stabilizing brackets and appropriate fasteners.

WARNING

If unit is installed on a field-provided frame, the frame must be inspected yearly to ensure continued stability.

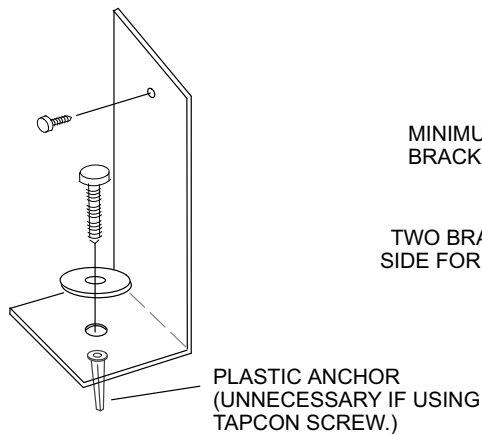
Slab Mounting



CONCRETE SLAB - IF USING PLASTIC ANCHOR (HOLE DRILL 1/4")
PLASTIC SLAB - NO PLASTIC ANCHOR (HOLE DRILL 1/8")

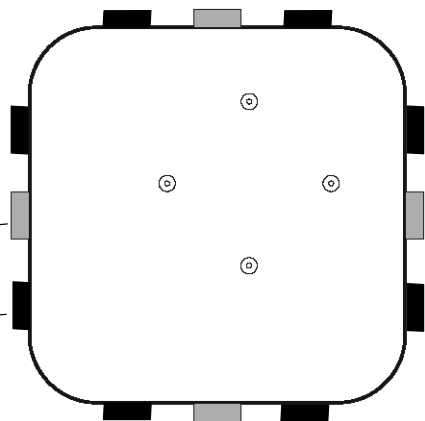
Deck Top Mounting

STABILIZING BRACKET (HEIGHT AS REQUIRED).
TAPCON SCREW MAY BE USED.



MINIMUM ONE BRACKET PER SIDE

TWO BRACKETS PER SIDE FOR INCREASED STABILITY



WHEN USING TWO BRACKETS PER SIDE FOR INCREASED STABILITY, INSTALL BRACKETS 2" FROM EACH CORNER.