



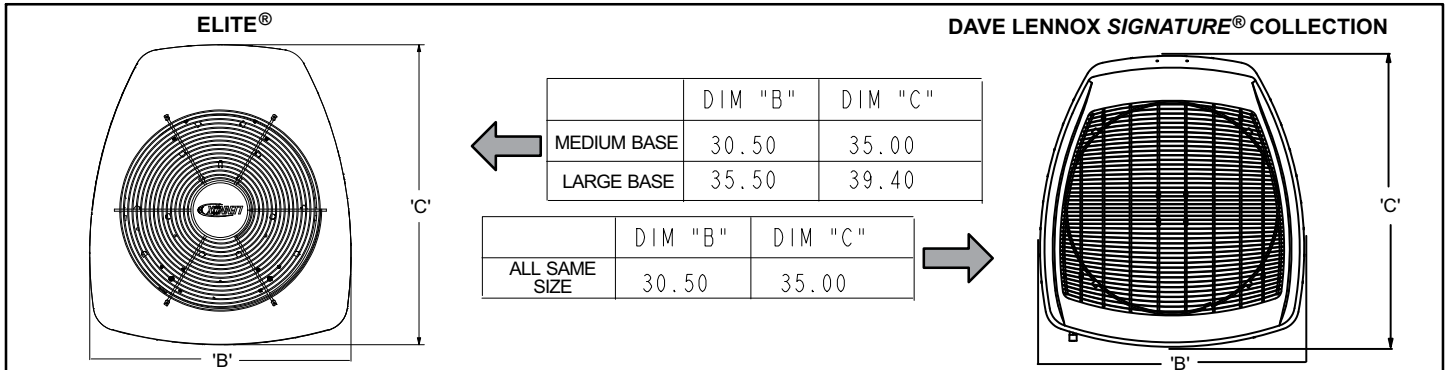
INSTALLATION PROCEDURE

507575-01
August 27, 2015

Installation Kit (14R10) for Securing Elite and Dave Lennox Signature Series Louvered Panels for High Wind Events

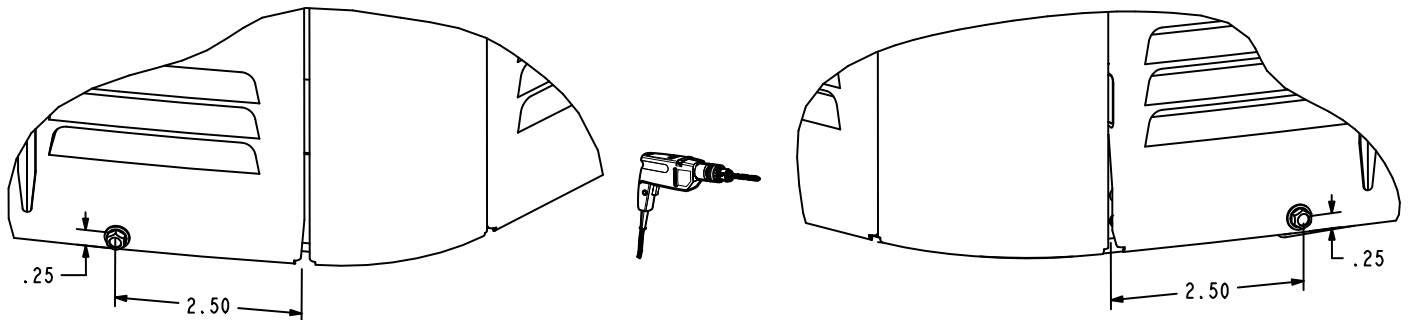
Units installed in the State of Florida must be able to withstand high winds in accordance with the Florida Building Code. This kit, consisting of this instruction and four sheet metal screws, can be used to secure the unit panels so that the application will meet the high wind requirements. This kit is required for use with medium- and large-based Elite® and all Dave Lennox Signature® Collection outdoor units.

REQUIRED TOOLS: Electric or cordless drill, drill bit capable of drilling into metal (.125" or 1/8"), 1/4" nut driver or drill socket.



WARNING!

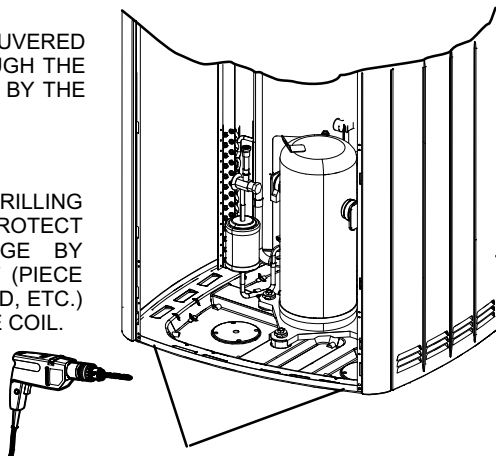
THE OUTDOOR COIL IS INSTALLED BEHIND THE LOUVERED PANELS. THE COIL CONTAINS R-410A HIGH PRESSURE REFRIGERANT. HAZARDS EXIST THAT COULD RESULT IN PERSONAL INJURY OR DEATH. TAKE EXTREME CARE WHEN DRILLING THE HOLES INTO THE LOUVERED PANELS OR BASE LIP TO PREVENT PUNCTURING THE OUTDOOR COIL OR OTHER COPPER REFRIGERANT PIPES.



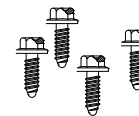
STEP A - DRILL HOLES IN THE LOCATIONS INDICATED. DRILL ONLY THROUGH THE LOUVERED PANEL. DO NOT PENETRATE THE UNIT BASE LIP. HOLES MUST BE DRILLED IN THE BASE LIP AFTER THE LOUVERED PANEL IS REMOVED. REPEAT STEP TO DRILL HOLES IN THE LOUVERED PANEL ON THE OPPOSITE SIDE.

STEP B - REMOVE LOUVERED PANELS AND DRILL THROUGH THE BASE LIP WHERE MARKED BY THE DRILL BIT IN STEP A.

IMPORTANT - WHEN DRILLING THROUGH THE BASE LIP, PROTECT THE COIL FROM DAMAGE BY PLACING A SOLID OBJECT (PIECE OF METAL, BLOCK OF WOOD, ETC.) BETWEEN THE LIP AND THE COIL.



PROVIDED SCREWS



SHEET METAL SCREW
100020-01 #8-18 x 3/4" WITH
SPHERICAL POINT

STEP C - REINSTALL LOUVERED PANELS. INSERT THE PROVIDED SCREWS INTO THE DRILLED HOLES AND SECURE EACH PANEL TO THE CABINET BASE.