



©2016 Lennox Industries Inc.
Dallas, Texas, USA

INSTALLATION INSTRUCTIONS

Mini-VRF Control Interface V0CTRL00P-1

Controls
507592-02
02/2016



⚠ WARNING

Improper installation, adjustment, alteration, service or maintenance can cause property damage, personal injury or loss of life. Installation and service must be performed by a licensed professional HVAC installer (or equivalent) or service agency.

Shipping and Packing List

Package 1 of 1 contains:

- 1 - V0CTRL00P-1 device
- 8 - Phillips screws (four short and four long)
- 4 - Plastic anchors
- 3 - Resistors (one not used)
- 1 - Installation manual

Requirements

Be sure that power supply to all equipment has been turned off before beginning installation. This accessory should be used only as described in this manual. This accessory must be installed indoors.

- The accessory uses low voltage. Keep a minimum distance of 12" (305 mm) between low voltage control wire and high voltage power wires.
- Ground the shielded control wiring.
- Do not use a megger to test insulation.

Specifications

Input voltage	24 VAC
Ambient temperature	23~110°F (-5~43°C)
Ambient humidity	RH40%~RH90%

IMPORTANT!

Read all of the information in this manual before using this controller. All wiring must conform to local and national building and electrical codes and ordinances. This is a 24 VAC controller. Do not install on voltages higher than 24 VAC.

General

Use the V0CTRL00P-1 Mini-VRF Control Interface to connect a Mini-VRF system to an LVM centralized controller. One V0CTRL00P is required for each Mini-VRF outdoor unit.

Installation

⚠ WARNING

Be sure that all power supplies have been turned off before beginning installation.

1. Attach the V0CTRL00P-1 base to the desired location using figure 1 as a guide.
2. Follow figures 2 and 3 to wire the V0CTRL00P-1P.
3. If more than one V0CTRL00P is connected on the K1K2E port to LVM, each V0CTRL00P board must set S1 dial with a different number. See figure 5.

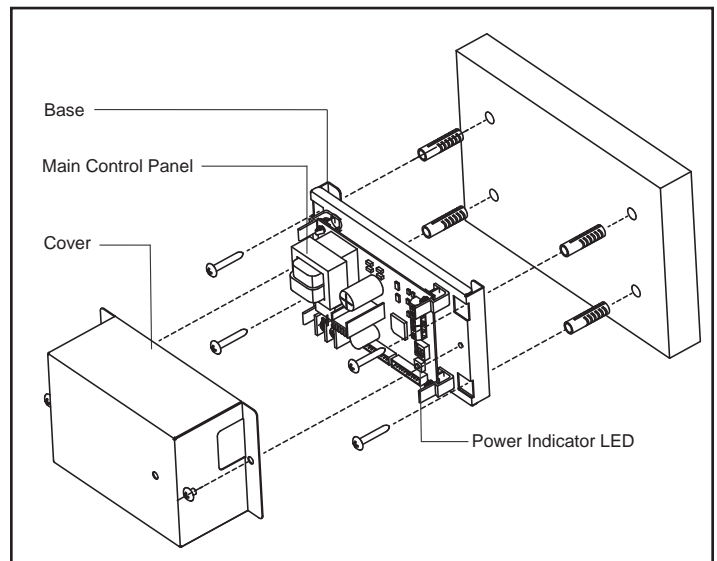


Figure 1. Installation

Wiring Connections

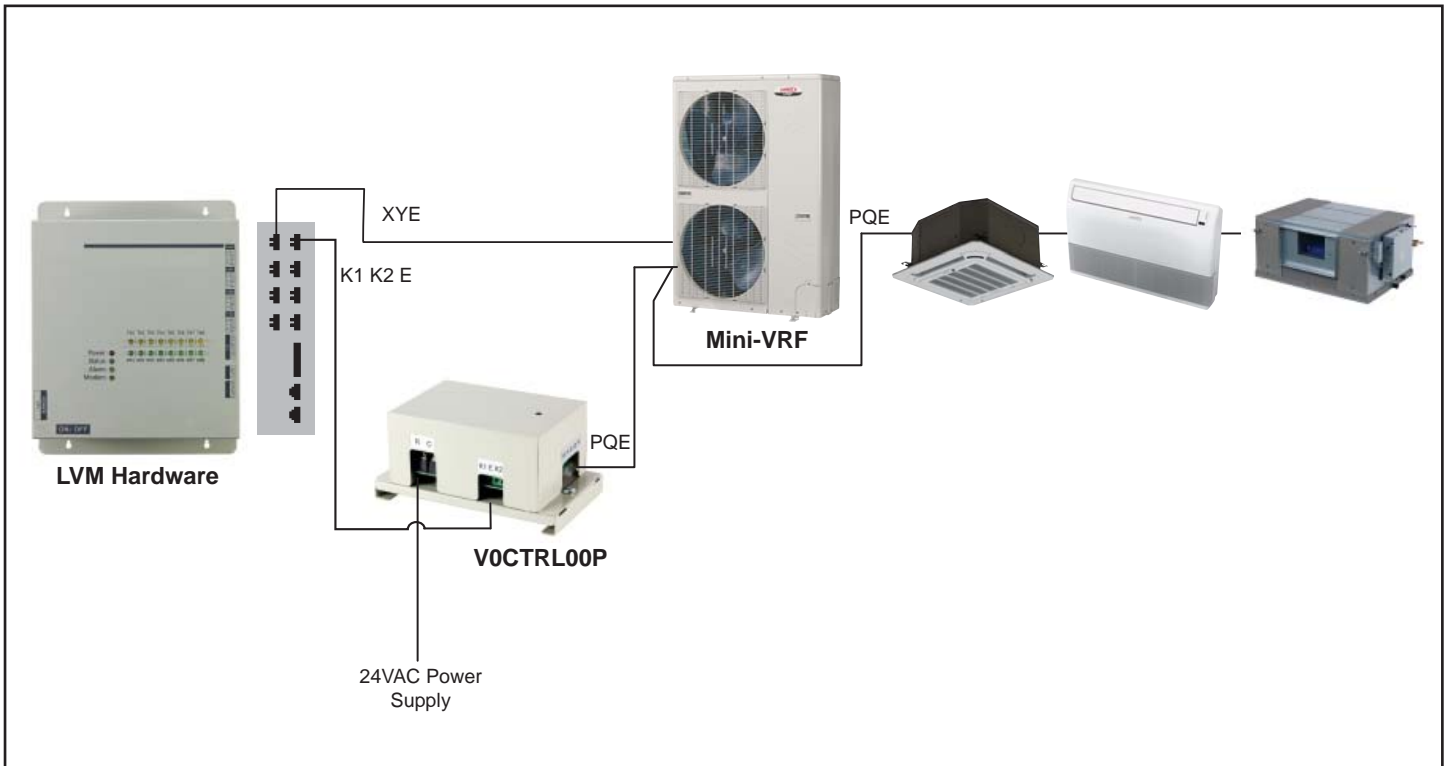
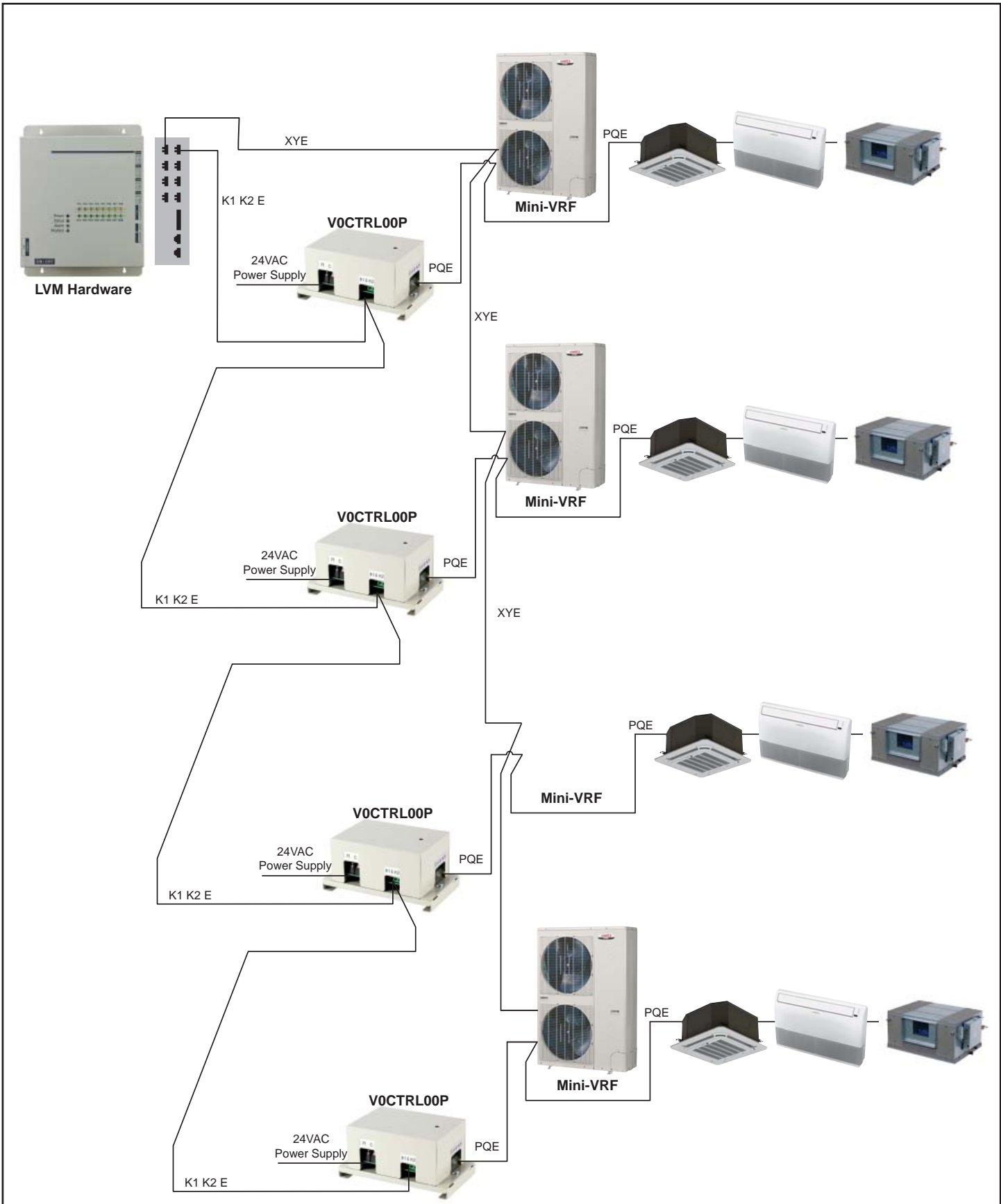


Figure 2. One Mini-VRF System Wiring Diagram



NOTE - Maximum of 4 VOCTRL00P can be connected on a single K1 K2 E port to LVM hardware.

Figure 3. Up to Four Mini-VRF Systems Wiring Diagram

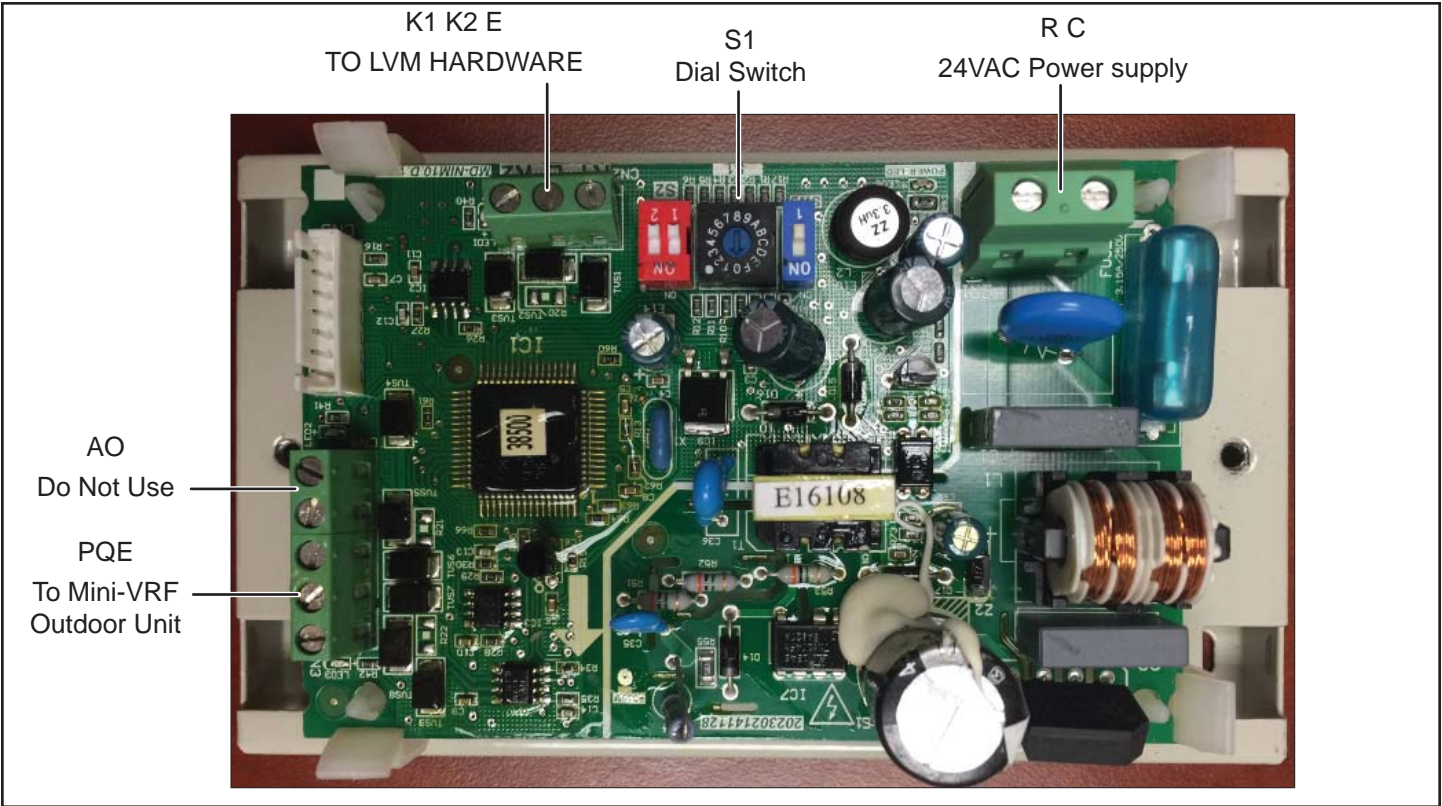


Figure 4. Mini-VRF to LVM Adapter

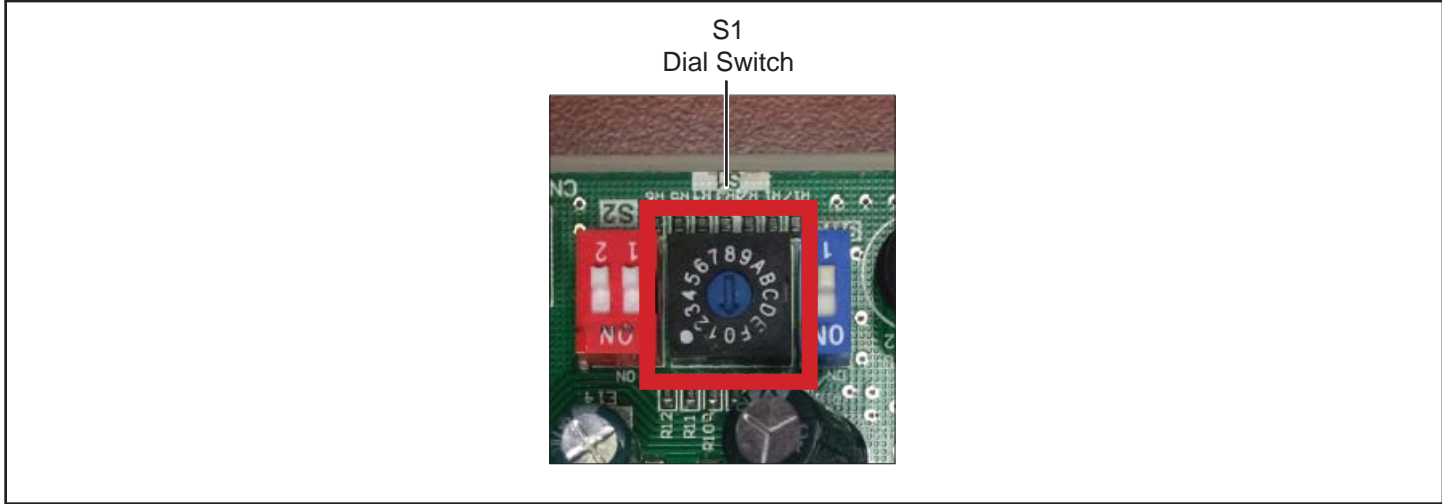


Figure 5. Adjust S1 Dial Switch