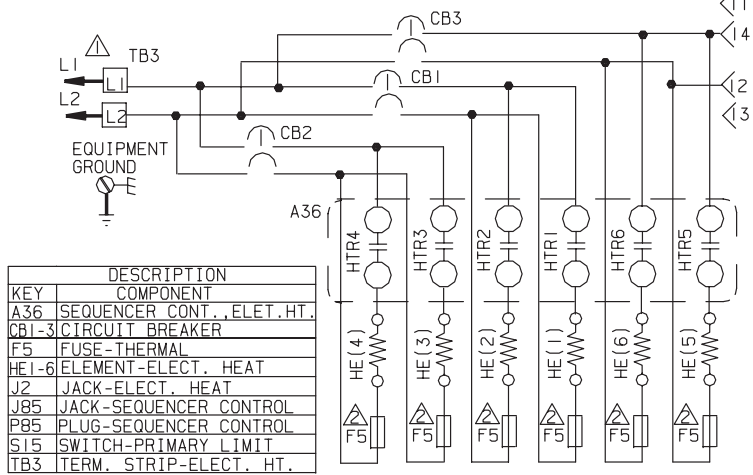
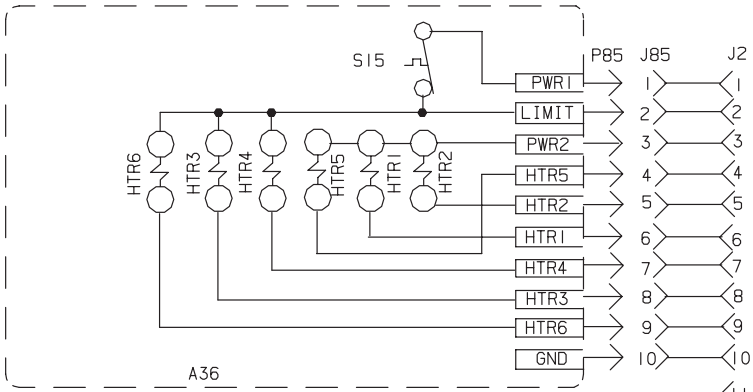


△ NOTE-FOR USE WITH COPPER CONDUCTORS ONLY
REFER TO UNIT NAMEPLATE FOR MINIMUM CIRCUIT
AMPACITY AND MAXIMUM OVERCURRENT PROTECTION SIZE

△ REFER TO HEATER NAMEPLATE FOR
THERMAL FUSE REPLACEMENT.

— LINE VOLTAGE FIELD WIRING



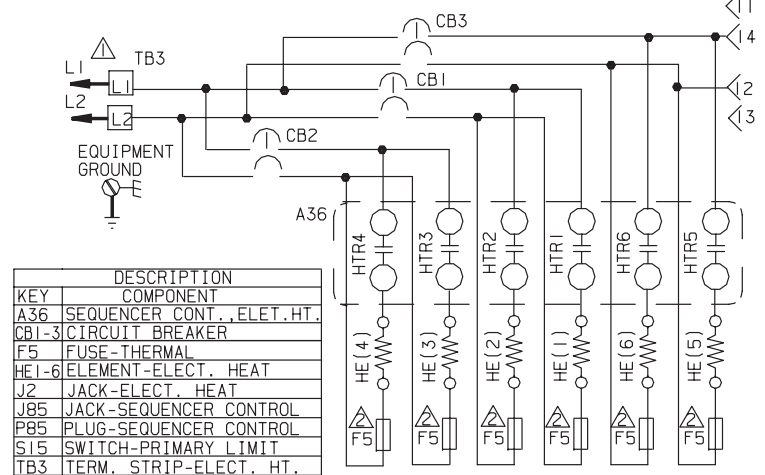
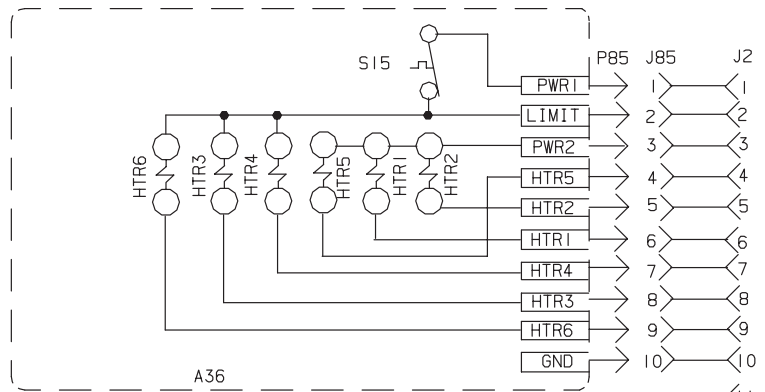
KEY	COMPONENT
A36	SEQUENCER CONT., ELET. HT.
CB1-3	CIRCUIT BREAKER
F5	FUSE-THERMAL
HE1-6	ELEMENT-ELECT. HEAT
J2	JACK-ELECT. HEAT
J85	JACK-SEQUENCER CONTROL
P85	PLUG-SEQUENCER CONTROL
S15	SWITCH-PRIMARY LIMIT
TB3	TERM. STRIP-ELECT. HT.

LENNOX Industries Inc. WIRING DIAGRAM 5/94	
HEATING UNITS-ELECTRIC	
ECB24-25CB-2P, 3P	
ECB24-30CB-2P, 3P	
SINGLE SOURCE POWER SUPPLY	
ELECTRIC HEAT-SECTION-A6	
Supersedes Form No.	New Form No.
	531,010W
©1994 Lennox Industries Inc. Litho U.S.A.	

△ NOTE-FOR USE WITH COPPER CONDUCTORS ONLY
REFER TO UNIT NAMEPLATE FOR MINIMUM CIRCUIT
AMPACITY AND MAXIMUM OVERCURRENT PROTECTION SIZE

△ REFER TO HEATER NAMEPLATE FOR
THERMAL FUSE REPLACEMENT.

— LINE VOLTAGE FIELD WIRING



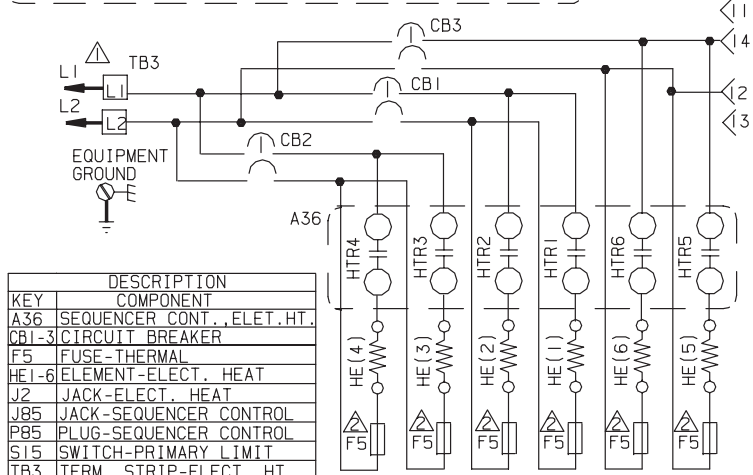
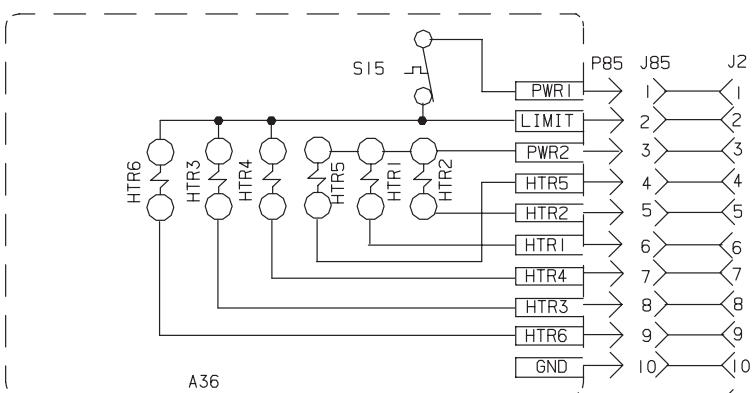
KEY	COMPONENT
A36	SEQUENCER CONT., ELET. HT.
CB1-3	CIRCUIT BREAKER
F5	FUSE-THERMAL
HE1-6	ELEMENT-ELECT. HEAT
J2	JACK-ELECT. HEAT
J85	JACK-SEQUENCER CONTROL
P85	PLUG-SEQUENCER CONTROL
S15	SWITCH-PRIMARY LIMIT
TB3	TERM. STRIP-ELECT. HT.

LENNOX Industries Inc. WIRING DIAGRAM 5/94	
HEATING UNITS-ELECTRIC	
ECB24-25CB-2P, 3P	
ECB24-30CB-2P, 3P	
SINGLE SOURCE POWER SUPPLY	
ELECTRIC HEAT-SECTION-A6	
Supersedes Form No.	New Form No.
	531,010W
©1994 Lennox Industries Inc. Litho U.S.A.	

△ NOTE-FOR USE WITH COPPER CONDUCTORS ONLY
REFER TO UNIT NAMEPLATE FOR MINIMUM CIRCUIT
AMPACITY AND MAXIMUM OVERCURRENT PROTECTION SIZE

△ REFER TO HEATER NAMEPLATE FOR
THERMAL FUSE REPLACEMENT.

— LINE VOLTAGE FIELD WIRING



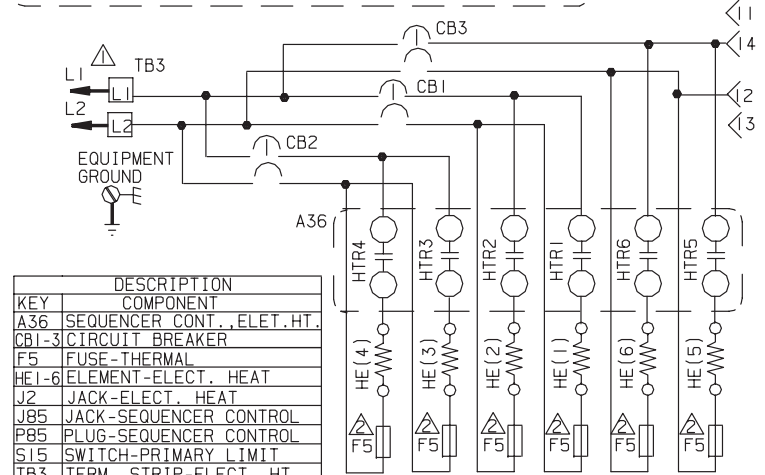
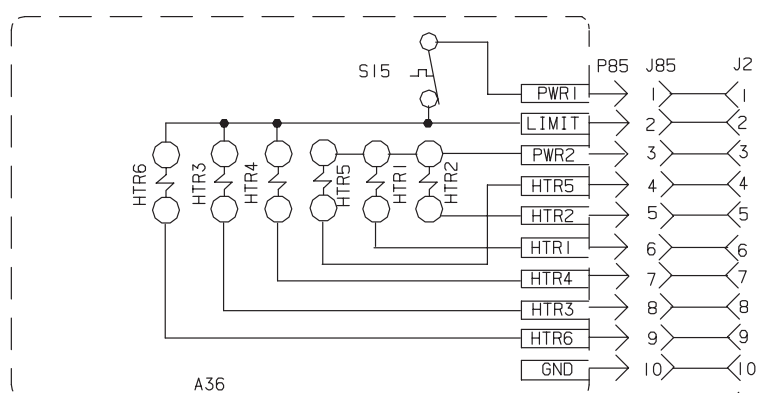
KEY	COMPONENT
A36	SEQUENCER CONT., ELET. HT.
CB1-3	CIRCUIT BREAKER
F5	FUSE-THERMAL
HE1-6	ELEMENT-ELECT. HEAT
J2	JACK-ELECT. HEAT
J85	JACK-SEQUENCER CONTROL
P85	PLUG-SEQUENCER CONTROL
S15	SWITCH-PRIMARY LIMIT
TB3	TERM. STRIP-ELECT. HT.

LENNOX Industries Inc. WIRING DIAGRAM 5/94	
HEATING UNITS-ELECTRIC	
ECB24-25CB-2P, 3P	
ECB24-30CB-2P, 3P	
SINGLE SOURCE POWER SUPPLY	
ELECTRIC HEAT-SECTION-A6	
Supersedes Form No.	New Form No.
	531,010W
©1994 Lennox Industries Inc. Litho U.S.A.	

△ NOTE-FOR USE WITH COPPER CONDUCTORS ONLY
REFER TO UNIT NAMEPLATE FOR MINIMUM CIRCUIT
AMPACITY AND MAXIMUM OVERCURRENT PROTECTION SIZE

△ REFER TO HEATER NAMEPLATE FOR
THERMAL FUSE REPLACEMENT.

— LINE VOLTAGE FIELD WIRING



KEY	COMPONENT
A36	SEQUENCER CONT., ELET. HT.
CB1-3	CIRCUIT BREAKER
F5	FUSE-THERMAL
HE1-6	ELEMENT-ELECT. HEAT
J2	JACK-ELECT. HEAT
J85	JACK-SEQUENCER CONTROL
P85	PLUG-SEQUENCER CONTROL
S15	SWITCH-PRIMARY LIMIT
TB3	TERM. STRIP-ELECT. HT.

LENNOX Industries Inc. WIRING DIAGRAM 5/94	
HEATING UNITS-ELECTRIC	
ECB24-25CB-2P, 3P	
ECB24-30CB-2P, 3P	
SINGLE SOURCE POWER SUPPLY	
ELECTRIC HEAT-SECTION-A6	
Supersedes Form No.	New Form No.
	531,010W
©1994 Lennox Industries Inc. Litho U.S.A.	