
	WIRING DIAGRAM	1/10
ACCESSORIES		
COMPRESSOR START KITS		
Supersedes Form No.	New Form No. 531,154W	

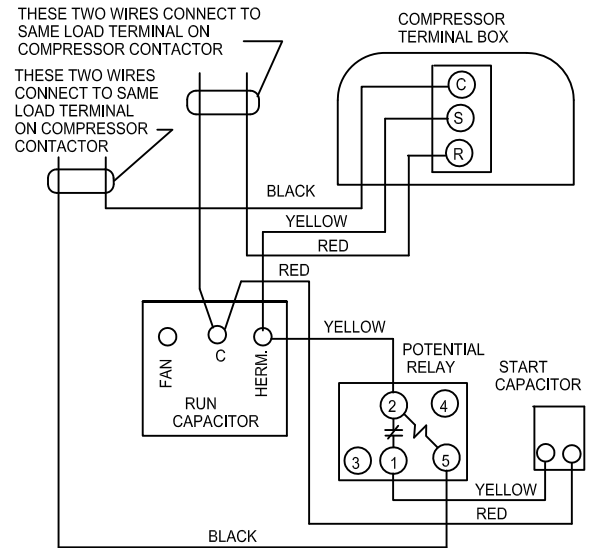
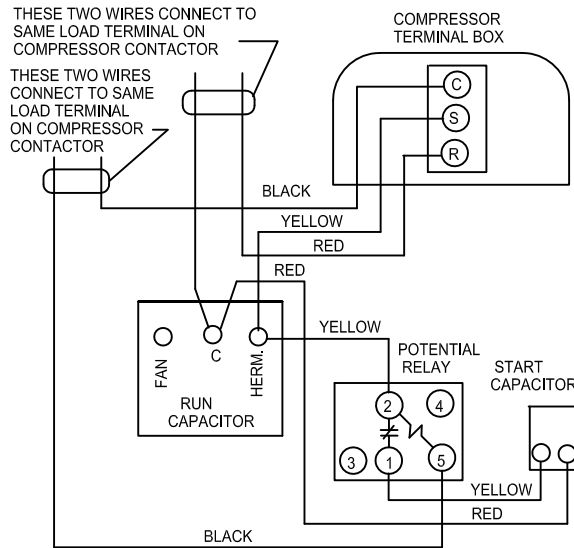
© 2010


Litho U.S.A.

	WIRING DIAGRAM	1/10
ACCESSORIES		
COMPRESSOR START KITS		
Supersedes Form No.	New Form No. 531,154W	

© 2010

Litho U.S.A.



	WIRING DIAGRAM	1/10
ACCESSORIES		
COMPRESSOR START KITS		
Supersedes Form No.	New Form No. 531,154W	

© 2010

Litho U.S.A.

	WIRING DIAGRAM	1/10
ACCESSORIES		
COMPRESSOR START KITS		
Supersedes Form No.	New Form No. 531,154W	

© 2010

Litho U.S.A.