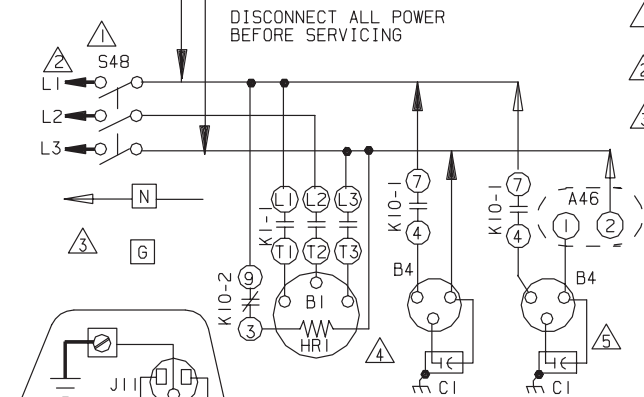


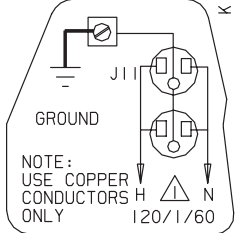
⚠ WITH S11 ON-OFF FAN LOW AMBIENT CONTROL
 ⚠ WITH A46 VARIABLE LOW AMBIENT CONTROL
 PRIMARY OF 24 VOLT TRANSFORMER MUST BE PHASED WITH B4 FAN MOTOR. EXAMPLE: IF MOTOR IS HOOKED TO L1 & L3, TRANSFORMER PRIMARY MUST ALSO BE HOOKED ACROSS L1 & L3.

KEY	DESCRIPTION COMPONENT
A46	CONTROL-OUTDOOR FAN
B1	COMPRESSOR
B4	MOTOR-OUTDOOR FAN I
C1	CAPACITOR-OUTDOOR FAN I
DL33	TIMER-MINIMUM RUN I
HR1	HEATER-COMPRESSOR I
J11	JACK-GFI RECEPTACLE
J36	JACK-TEST, COOL
K1, -1	CONTACTOR-COMPRESSOR I
K10, -1, 2	RELAY-OUTDOOR FAN I
K167, -1, 2	RELAY-LATCHING I
P36	PLUG-TEST, COOL
RT13	SENSOR-AMBIENT
S4	SWITCH-LIMIT, HI PRESS COMP I
S11	SWITCH-LOW PRESS, LOW AMB KIT
S48	SWITCH-DISCONNECT
S87	SWITCH-LOW PRESS, COMP I
T32	TRANSFORMER-HOFFMAN CONTROL



⚠ FACTORY INSTALLED OPTION
 FOR USE WITH COPPER CONDUCTORS ONLY
 ⚠ REFER TO UNIT RATING PLATE FOR MINIMUM CIRCUIT AMPACITY AND MAXIMUM OVERCURRENT PROTECTION
 ⚠ "M" VOLTAGE UNITS ONLY
 IF ANY WIRE IN THIS APPLIANCE IS REPLACED, IT MUST BE REPLACED WITH WIRE OF LIKE SIZE, RATING AND INSULATION THICKNESS.

WARNING-
 ELECTRIC SHOCK HAZARD, CAN CAUSE INJURY OR DEATH. UNIT MUST BE GROUNDED IN ACCORDANCE WITH NATIONAL AND LOCAL CODES.



LETTER DESIGNATION	VOLTAGE
Y	208-230/60/3
G	460/60/3
J	575/60/3
M	380-420/50/3

WIRING DIAGRAM 3/98	
COOLING UNITS-CONDENSING UNITS	
LSA-072C-Y, G, J, M LSA-090C-Y, G, J, M	
COOLING SECTION-B4I	
Supersedes Form No. 531,769W	New Form No. 532,658W