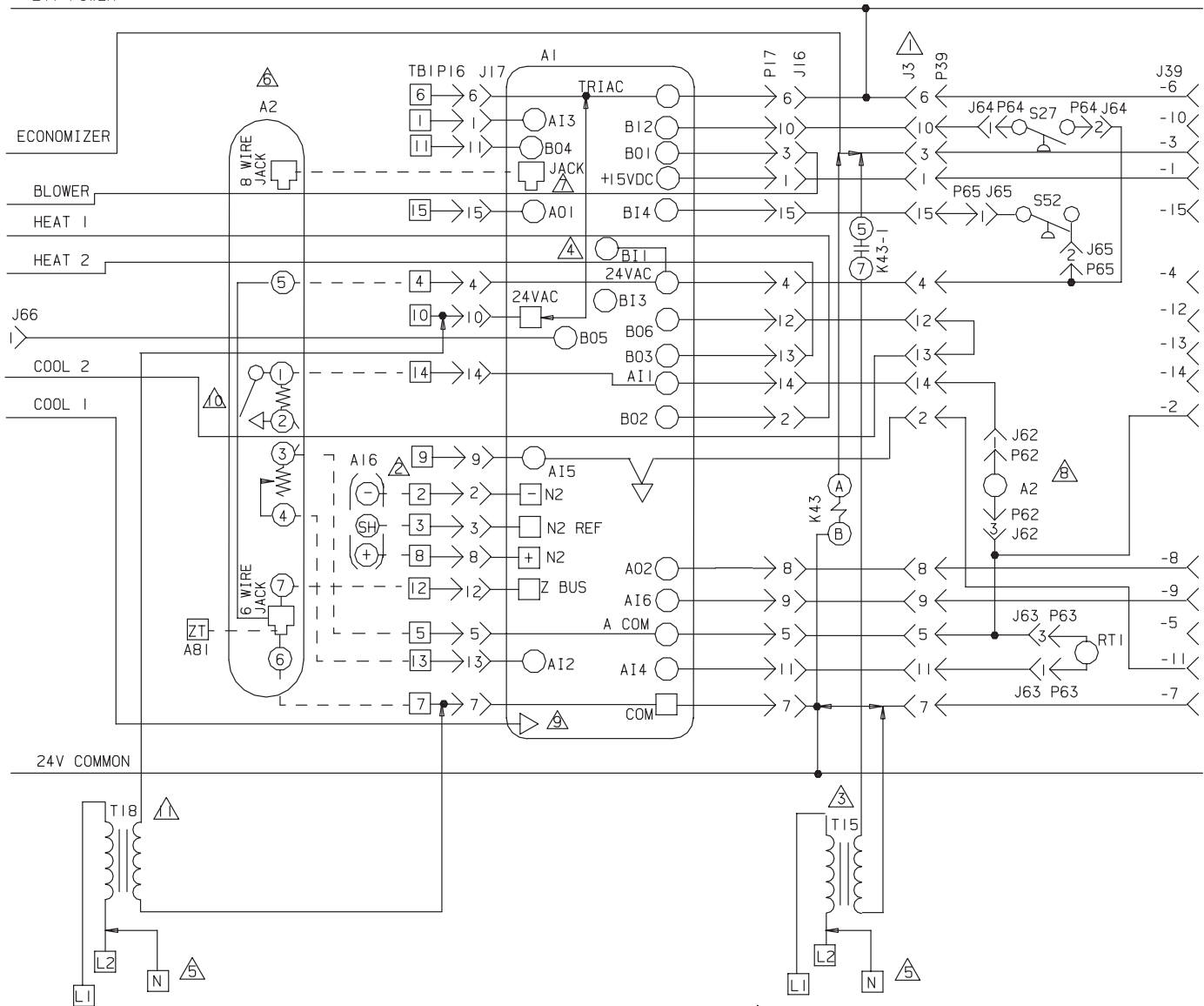


24V POWER



KEY	DESCRIPTION
	COMPONENT
A1	CONTROL -MODULE
A2	SENSOR-(SEE NOTES 6 & 8)
A16	CONTROL -MICROPROCESSOR
AB1	CONTROL-UNIT MONITORING
J3	JACK-ECONOMIZER
J16	JACK-UNIT
J17	JACK-LOGIC PANEL
J39	JACK-ADAPTER
J62	JACK-A2 RA SENSOR
J63	JACK-RT1 DA SENSOR
J64	JACK-S27 FILTER SWITCH
J65	JACK-S52 FAN SWITCH
J66	JACK-COOL I INTERFACE
K43, -1	RELAY-ECONOMIZER BLOWER
P16	PLUG-UNIT
P17	PLUG-LOGIC PANEL
P39	PLUG-ADAPTER
P62	PLUG-A2 RA SENSOR
P63	PLUG-RT1 DA SENSOR
P64	PLUG-FILTER SWITCH
P65	PLUG-S52 FAN SWITCH
RT1	SENSOR-DISCHARGE
S27	SWITCH-FILTER
S52	SWITCH-AIR FLOW
T15	TRANSFORMER-ECONOMIZER MOTOR
T18	TRANSFORMER-CONTACTOR
TB1	TERMINAL STRIP-LOW VOLT

TERM. NO.	UNIT FUNCTION
1	Y1 COOL I
2	W1 HEAT I
3	G BLOWER
4	4
5	5
6	R 24V POWER
7	C 24V COMMON
8	8
9	9
10	10 POWER TO S1
11	11
12	Y2 COOL 2
13	W2 HEAT 2
14	14
15	15

- ⚠ ON C BOX UNITS T18 IS NOT USED, INCREASE T1 TO 70VA
- ⚠ PUSHBUTTON OVERRIDE
- ⚠ DISCONNECT WIRE FROM J3-2 TO COOL I (K1) AND CONNECT J3-2 WIRE TO A15 ON A1
- ⚠ NOT USED IF ROOM SENSOR IS USED
- ⚠ ALTERNATE HOOKUP USING PHONE TYPE, 8 WIRE, CABLE
- ⚠ SENSOR, ROOM AIR
- ⚠ USED ON 3 PHASE, 50HZ APPLICATIONS
- ⚠ INTERLOCK-FOR ECONOMIZER OPERATION
- ⚠ T15 AND K43 RELAY ARE REQUIRED WITH B7 HONEYWELL M7415A DAMPER MOTOR
- ⚠ N2-, N2+ AND REF-COMMUNICATIONS LINK
- ⚠ J3 MAXIMUM LOAD 20VA 24VAC CLASS II

→ DESIGNATES OPTIONAL WIRING  
 - - - CLASS II FIELD WIRING

<b>LENNOX</b> <sup>®</sup> Industries Inc.	WIRING DIAGRAM	5/98
ACCESSORIES		
JOHNSON FACILITATOR CONTROL 16 AND 24 SERIES		
TEMPERATURE CONTROL SECTION C47		
Supersedes Form No. 532,479W	New Form No. 532,660W	