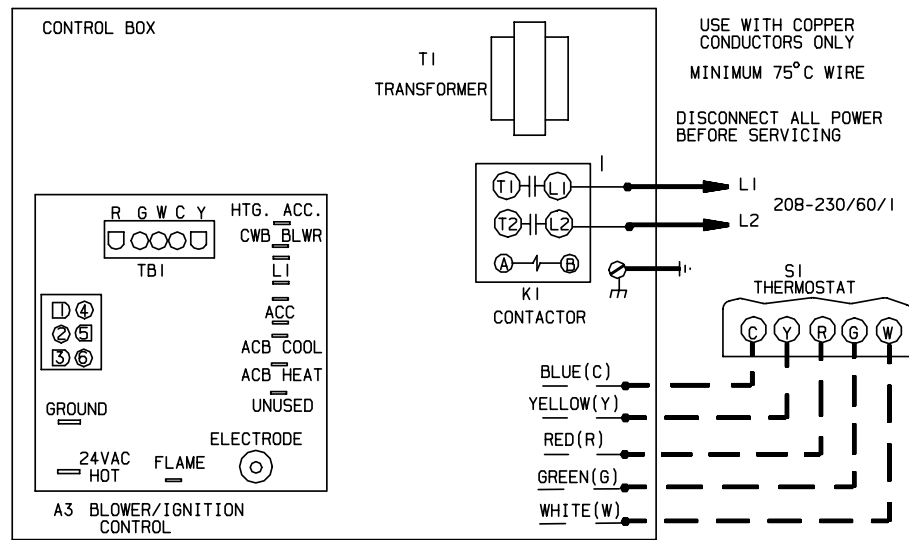
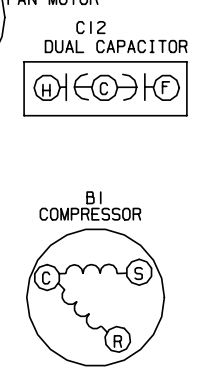


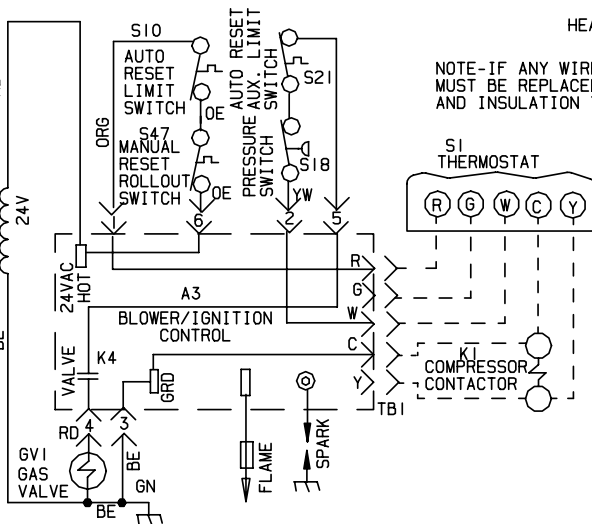
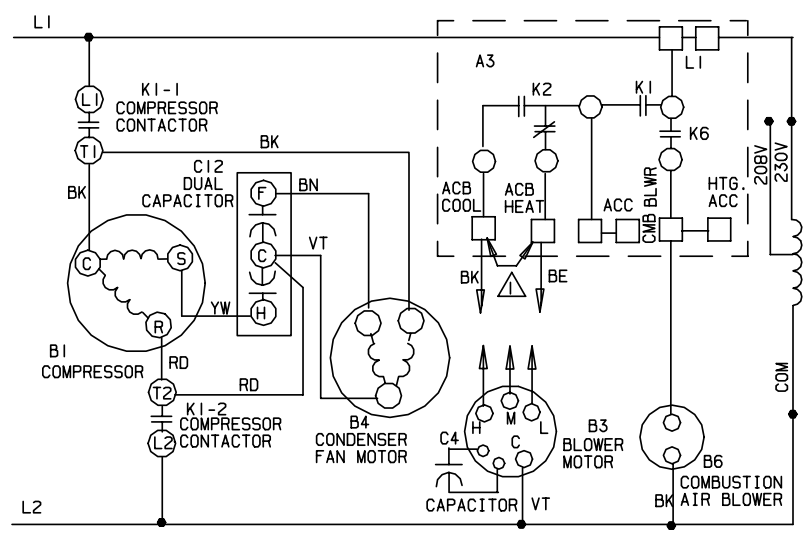
UNIT	HEATING SPEED	COOLING SPEED
10GCS024-50	MEDIUM	LOW
10GCS024-75	HIGH	LOW
10GCS030-50	LOW	MEDIUM
10GCS030-75	HIGH	MEDIUM
10GCS036-50	MEDIUM	HIGH
10GCS036-75	HIGH	HIGH
10GCS036-100	HIGH	HIGH
10GCS042-75	HIGH	HIGH
10GCS042-100	HIGH	HIGH
10GCS048-100	MEDIUM	LOW
10GCS048-125	HIGH	LOW
10GCS048-150	HIGH	LOW
10GCS060-100	MEDIUM	HIGH
10GCS060-125	HIGH	HIGH
10GCS060-150	HIGH	HIGH



USE WITH COPPER CONDUCTORS ONLY
MINIMUM 75°C WIRE
DISCONNECT ALL POWER BEFORE SERVICING

208-230/60/1

* JUMPER REQUIRED
IF JUMPER IS NOT USED, CONNECT BLUE WIRE ON UNUSED TERMINAL TO HEAT.
USE JUMPER ONLY IF HEAT AND COOL ARE THE SAME SPEED.



HEAT ANTICIPATION SETTING- 0.75

NOTE-IF ANY WIRE IN THIS APPLIANCE IS REPLACED, IT MUST BE REPLACED WITH WIRE OF LIKE SIZE, RATING AND INSULATION THICKNESS.

— LINE VOLTAGE FIELD INSTALLED
- - - 24 VOLT FIELD INSTALLED
NEC/CEC CLASS 2
NOTE-ALL REMAINING WIRES FACTORY INSTALLED

LENNOX Industries Inc. WIRING DIAGRAM 04/00	
COMBINATION UNITS-ROOFTOP	
10GCS024-50, 75-2P 10GCS030-50, 75-2P 10GCS036-50, 75, 100-2P 10GCS042-75, 100-2P 10GCS048-100, 125, 150-2P 10GCS060-100, 125, 150-2P	
Supersedes Form No.	New Form No. 533, 466W

Litho U.S.A.