

UNIT	HEATING SPEED	COOLING SPEED
12GCS024-50	MEDIUM	LOW
12GCS024-75	HIGH	LOW
12GCS030-50	MEDIUM*	MEDIUM
12GCS030-75	HIGH	MEDIUM
12GCS036-50	MEDIUM	HIGH
12GCS036-75	HIGH*	HIGH
12GCS036-100	HIGH*	HIGH
12GCS042-75	HIGH*	HIGH
12GCS042-100	HIGH*	HIGH
12GCS048-100	MEDIUM*	MEDIUM
12GCS048-125	HIGH	MEDIUM
12GCS060-100	MEDIUM	HIGH
12GCS060-125	HIGH*	HIGH

* JUMPER REQUIRED
IF JUMPER IS NOT USED,
CONNECT BLUE WIRE ON UNUSED
TERMINAL TO HEAT.

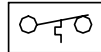
NOTE-IF ANY WIRE IN THIS APPLIANCE IS REPLACED, IT
MUST BE REPLACED WITH WIRE OF LIKE SIZE, RATING
AND INSULATION THICKNESS.

▲ USE JUMPER ONLY IF HEAT AND COOL
ARE THE SAME SPEED.

S10
AUTO RESET
LIMIT SWITCH

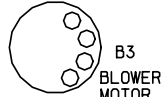


S47
MANUAL RESET
ROLLOUTSWITCH

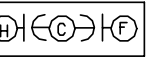


ELECTRIC/SENSOR

C4
BLOWER MOTOR
CAPACITOR



C12
DUAL CAPACITOR



S18
PRESSURE
SWITCH

S21
AUTO RESET
LIMIT SWITCH

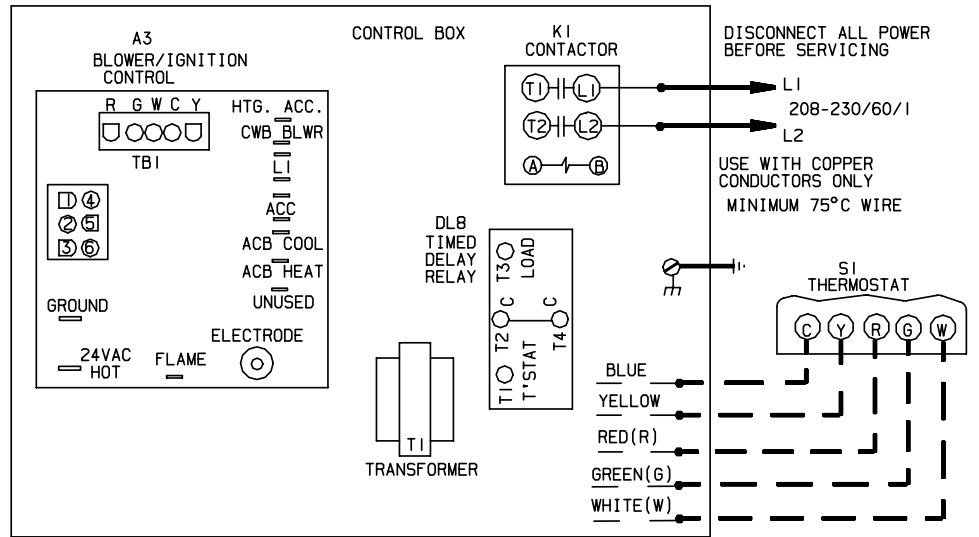
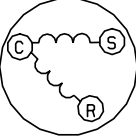
GVI
GAS
VALVE

B6
COMBUSTION
AIR
BLOWER



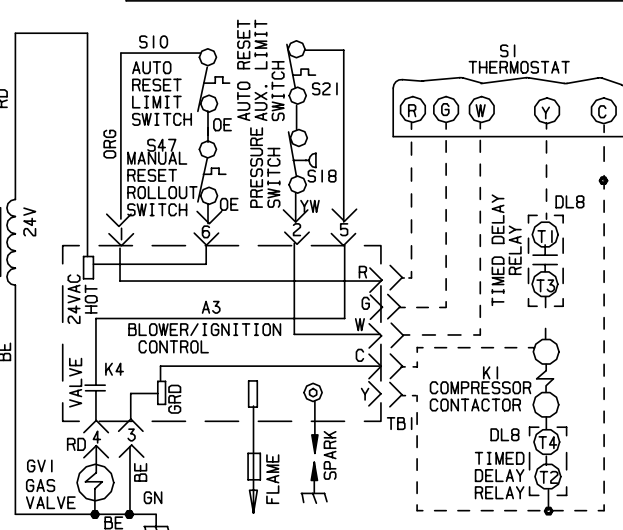
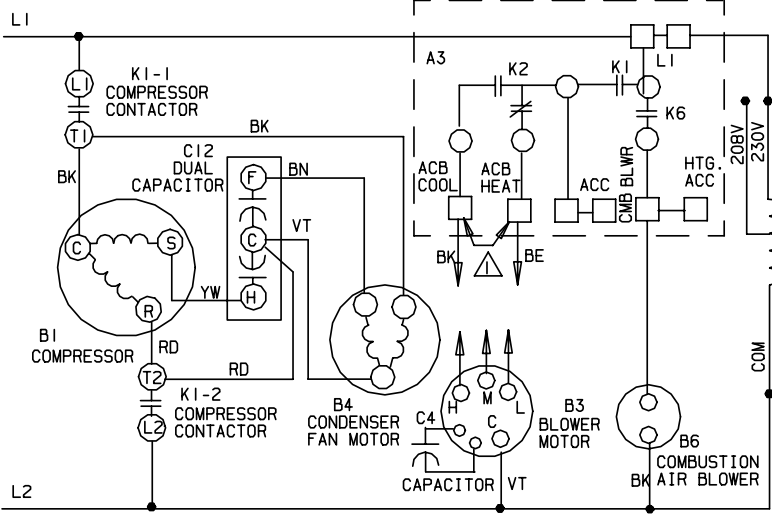
B4
CONDENSER
FAN MOTOR

B1
COMPRESSOR



DISCONNECT ALL POWER
BEFORE SERVICING

USE WITH COPPER
CONDUCTORS ONLY
MINIMUM 75°C WIRE



HEAT ANTICIPATION SETTING- 0.75

— LINE VOLTAGE FIELD INSTALLED
- - - 24 VOLT FIELD INSTALLED
- - - NEC/CEC CLASS 2
NOTE-ALL REMAINING WIRES
FACTORY INSTALLED

LENNOX Industries Inc. WIRING DIAGRAM 04/00	
COMBINATION UNITS-ROOFTOP	
12GCS024-50, 75-2P 12GCS030-50, 75-2P 12GCS036-50, 75, 100-2P 12GCS042-75, 100-2P 12GCS048-100, 125-2P 12GCS060-100, 125-2P	
Supersedes Form No.	New Form No. 533,467W

Litho U.S.A.