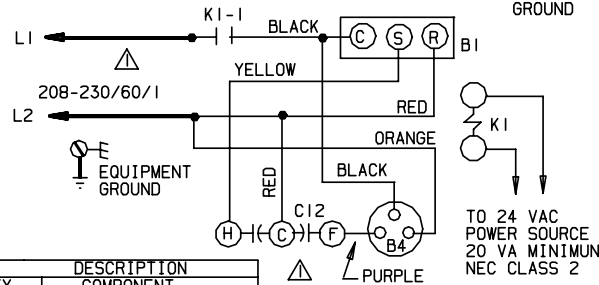
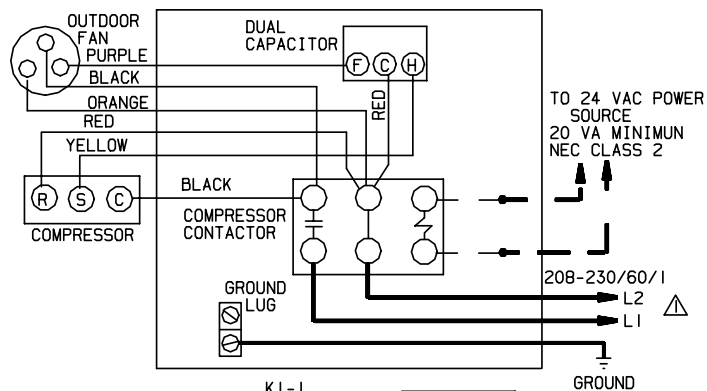


KEY	DESCRIPTION
B1	COMPRESSOR
B4	MOTOR-OUTDOOR FAN
C12	CAPACITOR-DUAL
K1, -1	CONTACTOR-COMPRESSOR

NOTE-  
FOR USE WITH COPPER CONDUCTORS  
ONLY. REFER TO UNIT RATING  
PLATE FOR MINIMUM CIRCUIT  
AMPACITY AND MAXIMUM OVER-  
CURRENT PROTECTION SIZE.

WARNING-  
ELECTRIC SHOCK HAZARD, CAN CAUSE INJURY OR  
DEATH. UNIT MUST BE GROUNDED IN ACCORDANCE  
WITH NATIONAL AND LOCAL CODES.

— LINE VOLTAGE FIELD INSTALLED  
- - - CLASS 11 VOLTAGE FIELD INSTALLED



KEY	DESCRIPTION
B1	COMPRESSOR
B4	MOTOR-OUTDOOR FAN
C12	CAPACITOR-DUAL
K1, -1	CONTACTOR-COMPRESSOR

NOTE-  
FOR USE WITH COPPER CONDUCTORS  
ONLY. REFER TO UNIT RATING  
PLATE FOR MINIMUM CIRCUIT  
AMPACITY AND MAXIMUM OVER-  
CURRENT PROTECTION SIZE.

WARNING-  
ELECTRIC SHOCK HAZARD, CAN CAUSE INJURY OR  
DEATH. UNIT MUST BE GROUNDED IN ACCORDANCE  
WITH NATIONAL AND LOCAL CODES.

— LINE VOLTAGE FIELD INSTALLED  
- - - CLASS 11 VOLTAGE FIELD INSTALLED

LENNOX® COOLING UNITS- CONDENSING UNITS	
10ACB12-10P, 11P	10ACB30-11P, 12P
10ACB18-11P	10ACB36-12P, 13P
10ACB24-11P	
Supersedes Form No.	
0700	533,472W
New Form No.	
	533,486W

LENNOX® COOLING UNITS- CONDENSING UNITS	
10ACB12-10P, 11P	10ACB30-11P, 12P
10ACB18-11P	10ACB36-12P, 13P
10ACB24-11P	
Supersedes Form No.	
0700	533,472W
New Form No.	
	533,486W