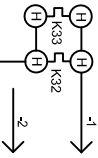
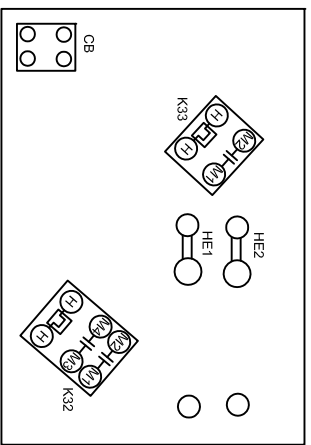
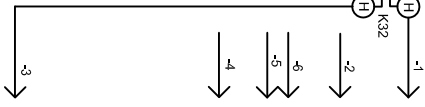


KEY	DESCRIPTION
CB1	CIRCUIT BREAKER-ELECT HEAT
HE1	ELEMENT-ELECTRIC HEAT 1
HE2-1/2	ELEMENT-ELECTRIC HEAT 2
K32-1/2	RELAY-ELECTRIC HEAT
K33-1	RELAY-ELECTRIC HEAT
S15	PLUG-ELECTRIC HEAT
S20	SWITCH-LIMIT SECONDARY ELECT HEAT

KW	AMPS
8	45A

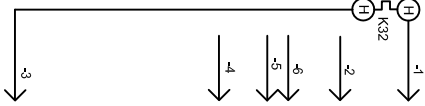
FOR USE WITH CIRCUIT BREAKERS ONLY.



KEY	DESCRIPTION
CB1	CIRCUIT BREAKER-ELECT HEAT
HE1	ELEMENT-ELECTRIC HEAT 1
HE2-1/2	ELEMENT-ELECTRIC HEAT 2
K32-1/2	RELAY-ELECTRIC HEAT
K33-1	RELAY-ELECTRIC HEAT
S15	PLUG-ELECTRIC HEAT
S20	SWITCH-LIMIT SECONDARY ELECT HEAT

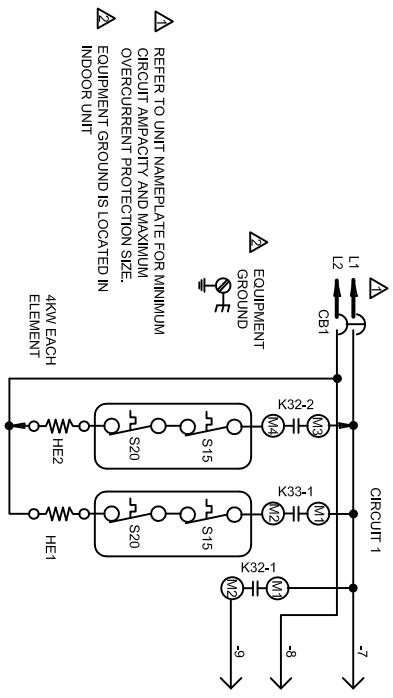
KW	AMPS
8	45A

FOR USE WITH CIRCUIT BREAKERS ONLY.



NOTE: USE COPPER CONDUCTORS ONLY

LINE VOLTAGE FIELD INSTALLED  
 DENOTES OPTIONAL COMPONENTS



- REFER TO UNIT NAMEPLATE FOR MINIMUM CIRCUIT AMPACITY AND MAXIMUM OVERCURRENT PROTECTION SIZE.
- EQUIPMENT GROUND IS LOCATED IN INDOOR UNIT

HEATING-ELECTRIC

ECB29-8CB-P

1011

Supersedes

New Form No.  
534,185W

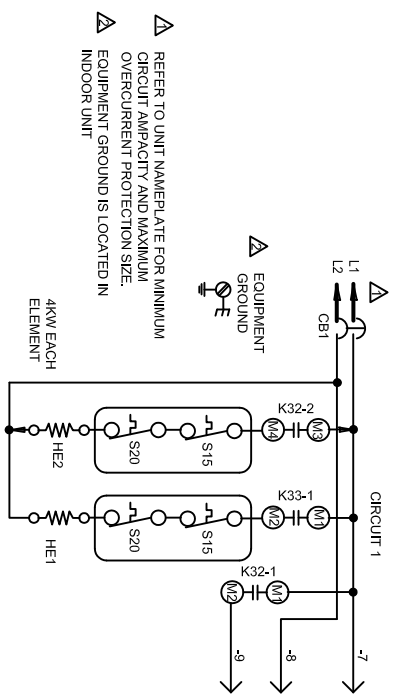


© 2011

Litho U.S.A.

NOTE: USE COPPER CONDUCTORS ONLY

LINE VOLTAGE FIELD INSTALLED  
 DENOTES OPTIONAL COMPONENTS



- REFER TO UNIT NAMEPLATE FOR MINIMUM CIRCUIT AMPACITY AND MAXIMUM OVERCURRENT PROTECTION SIZE.
- EQUIPMENT GROUND IS LOCATED IN INDOOR UNIT

HEATING-ELECTRIC

ECB29-8CB-P

1011

Supersedes

New Form No.  
534,185W



© 2011

Litho U.S.A.