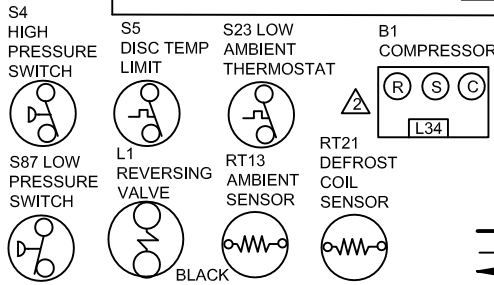


NOTE-FOR USE WITH COPPER CONDUCTORS ONLY. REFER TO UNIT RATING PLATE FOR MINIMUM CIRCUIT AMPACITY AND MAXIMUM OVERCURRENT PROTECTION SIZE



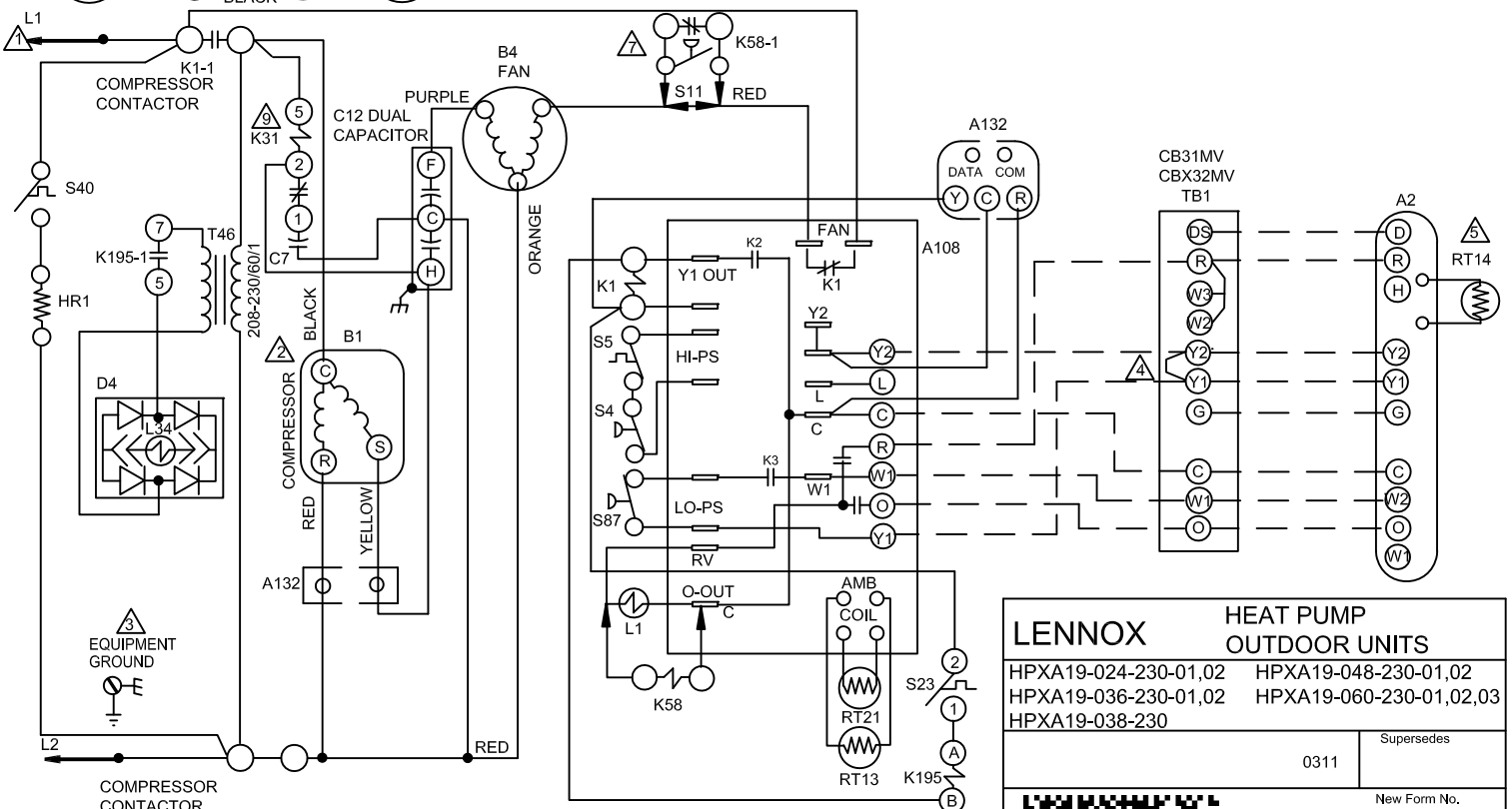
NOTE- IF ANY WIRE IN THIS APPLIANCE IS REPLACED, IT MUST BE REPLACED WITH WIRE OF LIKE SIZE, RATING, INSULATION THICKNESS, AND TERMINATION.

REFER TO COMPRESSOR IN UNIT FOR ACTUAL TERMINAL ARRANGEMENT

WARNING- ELECTRIC SHOCK HAZARD, CAN CAUSE INJURY OR DEATH. UNIT MUST BE GROUNDED IN ACCORDANCE WITH NATIONAL AND LOCAL CODES.

— LINE VOLTAGE FIELD INSTALLED
 - - - CLASS II VOLTAGE FIELD WIRING
 ▲ DENOTES OPTIONAL COMPONENTS

- ▲4 REMOVE JUMPER FOR TWO STAGE COOL
- ▲5 RT14 SENSOR, OUTDOOR TEMP (OPTIONAL)
- ▲6 S23 CLOSURES AT LOW AMBIENT TEMPERATURES TO OPERATE SECOND STAGE COMPRESSOR ON HEATING
- ▲7 S11 AND K58 ARE OPTIONAL LOW AMBIENT CONTROLS
- ▲8 L34 SOLENOID IS LOCATED IN COMPRESSOR, COIL IS 24VDC, DO NOT CONNECT 24VAC TO COIL TERMINALS.
- ▲9 K31 AND C7 ARE USED ON 024 UNITS ONLY



LENNOX HEAT PUMP OUTDOOR UNITS	
HPXA19-024-230-01,02	HPXA19-048-230-01,02
HPXA19-036-230-01,02	HPXA19-060-230-01,02,03
HPXA19-038-230	
0311	Supersedes
New Form No.	
534,655W	