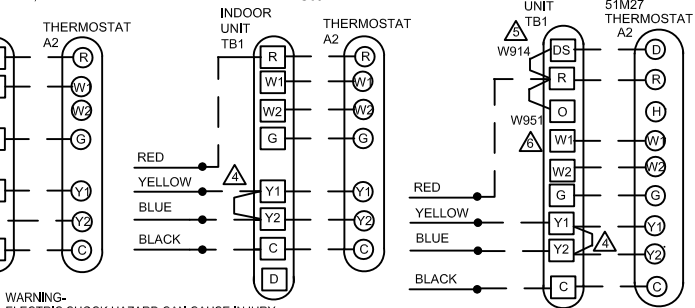


206-230/60V1

G40, G50

G60

INDOOR UNIT TB1 SIGNATURE 51M27 THERMOSTAT A2



WARNING-
ELECTRIC SHOCK HAZARD, CAN CAUSE INJURY OR DEATH. UNIT MUST BE GROUNDED IN ACCORDANCE WITH NATIONAL AND LOCAL CODES.

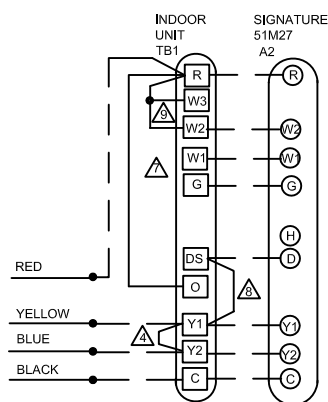
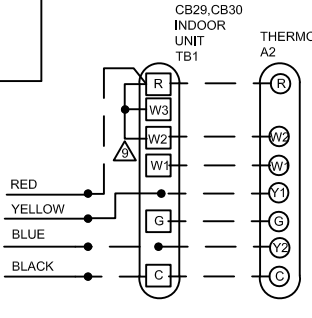
REMOVE JUMPER FOR TWO STAGE COOL

- ⚠ ON A92 CUT ONBOARD W914 JUMPER FROM D5 TO R, WHEN HUMIDITY CONTROL IS USED
- ⚠ ON A92 DO NOT CUT ONBOARD W951 JUMPER FROM R TO O. IT IS USED FOR APPLICATIONS FOR CONDENSING UNITS
- ⚠ FOR CONDENSING UNIT APPLICATIONS USE R TO O JUMPER, REMOVE IN HEAT PUMP APPLICATIONS
- ⚠ REMOVE DS TO Y1 JUMPER WHEN HUMIDITY CONTROL IS USED
- ⚠ WHEN TWO STAGE THERMOSTAT IS USED, CONNECT SECOND STAGE HEAT BULB TO TERMINAL "W2", AND REMOVE JUMPER BETWEEN "R" AND "W2"
- ⚠ L34 SOLENOID IS LOCATED IN COMPRESSOR. COIL IS 24VDC. DO NOT CONNECT 24VAC TO COIL TERMINALS
- ⚠ S11 IS OPTIONAL LOW AMBIENT SWITCH
- ⚠ K31 AND C7 ARE USED ON 024 UNITS ONLY

NOTE-
IF ANY WIRE IN THIS APPLIANCE IS REPLACED, IT MUST BE REPLACED WITH WIRE OF LIKE SIZE, RATING, INSULATION THICKNESS, AND TERMINATION.

NOTE- MINIMUM TRANSFORMER REQUIRED IN INDOOR UNIT-40 VA

— LINE VOLTAGE FIELD INSTALLED
- - - CLASS II VOLTAGE FIELD WIRING
- - - DENOTES OPTIONAL COMPONENTS



LENNIX		COOLING - CONDENSING	
HSXA19-024-230	HSXA19-048-230	HSXA19-036-230	HSXA19-060-230
0311		Supersedes 534, 592W	
New Form No. 534, 656W			