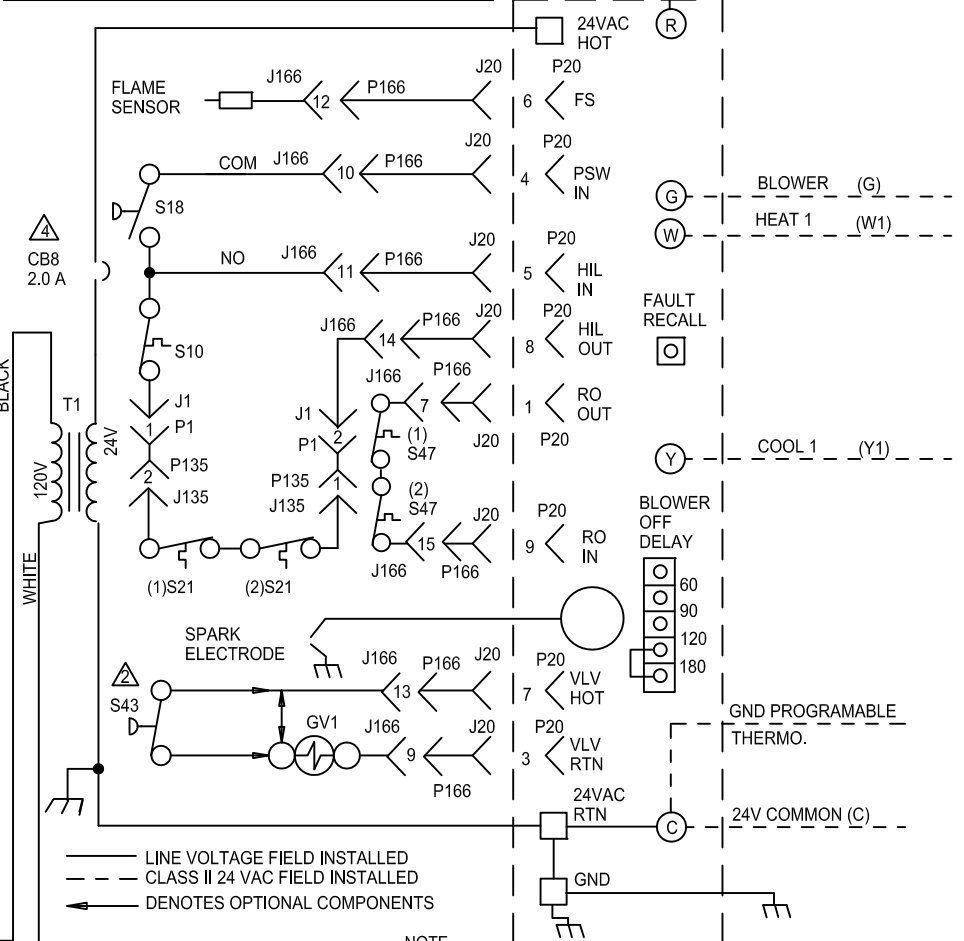


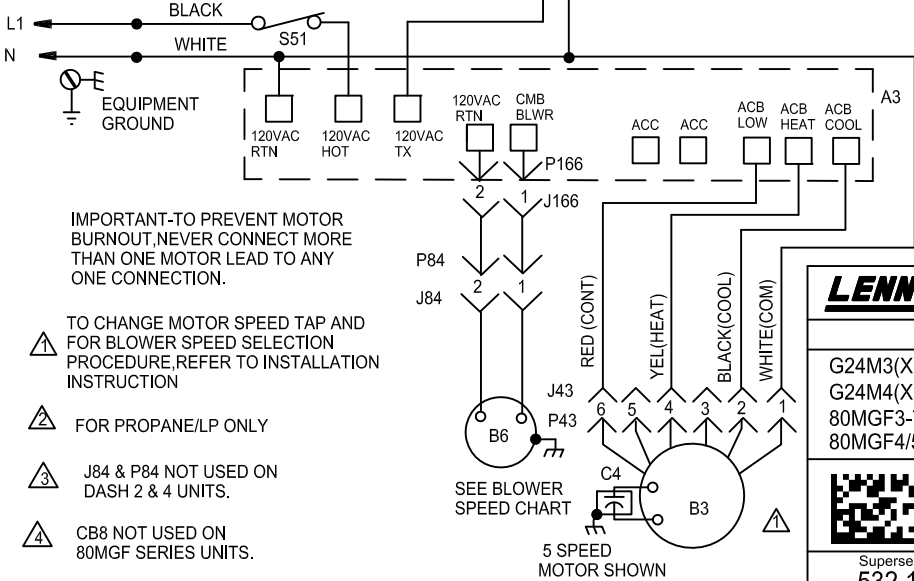
KEY	DESCRIPTION	COMPONENT
A3	CONTROL, BURNER, IGNITION	
B3	MOTOR, BLOWER	
B6	MOTOR, COMBUSTION AIR BLOWER	
C3	CAPACITOR, COMB AIR BLOWER	
C4	CAPACITOR, BLOWER MOTOR	
CB8	CIRCUIT BREAKER	
GV1	VALVE, GAS	
J1	JACK, SECONDARY LIMIT	
J20	JACK, GAS	
J43	JACK, BLOWER MOTOR	
J84	JACK-COMB. AIR BLOWER	
J135	JACK, SECONDARY LIMIT	
J166	JACK, HARNESS-INTERFACE	
P1	PLUG, SECONDARY LIMIT	
P20	PLUG, GAS	
P43	PLUG, BLOWER MOTOR	
P84	PLUG-COMB. AIR BLOWER	
P135	PLUG, SECONDARY LIMIT	
P166	PLUG- HARNESS-INTERFACE	
S10	LIMIT, PRIMARY, GAS	
S18	SWITCH, COMB. AIR BLWR PROVE	
(1)S21	LIMIT, SECONDARY	
(2)S21	LIMIT, SECONDARY	
S43	SWITCH, LOW PRESS. GAS	
(1)S47	SWITCH, FLAME ROLLOUT	
(2)S47	SWITCH, FLAME ROLLOUT	
S51	SWITCH, DOOR INTERLOCK	
T1	TRANSFORMER, CONTROL	

WIRING DIAGRAM FOR UNITS CONVERTED FROM 3MC5-01 RAMBOARD TO EGC-1 BOARD.



BLOWER SPEED CHART				
UNIT	FACTORY CONNECTED SPEED TAP			MOTOR SPEEDS AVAILABLE
	COOL	HEAT	CONT	
Q2-45/60	2	4	5	4
Q3-60/75	2	4	5	4
Q4-75, 3/4-100	2	4	5	5
Q4/5-100/120	2	5	6	5
Q2-75	2	3	5	4
Q4/5-140, 3/4-120	2	3	6	5

BLOWER SPEED SELECTION				
HI ← → LO				
SPEED TAP	2	3	4	5
	2	3	4	5
	2	3	4	5



NOTE- IF ANY WIRE IN THIS APPLIANCE IS REPLACED, IT MUST BE REPLACED WITH WIRE OF LIKE SIZE, RATING AND INSULATION THICKNESS.

WARNING- ELECTRIC SHOCK HAZARD, CAN CAUSE INJURY OR DEATH. UNIT MUST BE GROUNDED IN ACCORDANCE WITH NATIONAL AND LOCAL CODES.

SET THERMOSTAT HEAT ANTICIPATION FOR G24M SERIES UNITS AS FOLLOWS; HONEYWELL VALVE7 WHITE ROGERS VALVE5


IMPORTANT-TO PREVENT MOTOR BURNOUT, NEVER CONNECT MORE THAN ONE MOTOR LEAD TO ANY ONE CONNECTION.

TO CHANGE MOTOR SPEED TAP AND FOR BLOWER SPEED SELECTION PROCEDURE, REFER TO INSTALLATION INSTRUCTION

FOR PROPANE/LP ONLY

J84 & P84 NOT USED ON DASH 2 & 4 UNITS.

CB8 NOT USED ON 80MGF SERIES UNITS.

LENNOX Industries Inc	WIRING DIAGRAM	11/08
HEATING UNITS-GAS DSI		
G24M3(X)-60,75-2,4,6	80MGF, G24M2(X)-45,60,75-2,4,6	
G24M4(X)-75-2,4,6	80MGF, G24M3/4(X)-100,120,-2,4,6	
80MGF3-75-2,4,6	80MGF, G24M4/5(X)-100/120/140-2,4,6	
80MGF4/5-140-2,4,6		
		SECTION A 120/60/1
Supersedes Form No. 532,161W	New Form No. 535,329W	