

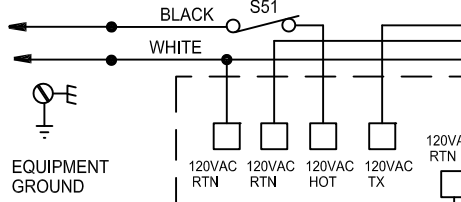
KEY	DESCRIPTION
A3	CONTROL, BURNER, IGNITION
B3	MOTOR, BLOWER
B6	MOTOR, COMBUSTION AIR BLOWER
C4	CAPACITOR, BLOWER MOTOR
GV1	VALVE, GAS
J1	JACK, SECONDARY LIMIT
J20	JACK, GAS
J43	JACK, BLOWER MOTOR
J166	JACK, HARNESS-INTERFACE
P1	PLUG, SECONDARY LIMIT
P20	PLUG, GAS
P43	PLUG, BLOWER MOTOR
P166	PLUG, HARNESS, INTERFACE
S10	LIMIT, PRIMARY, GAS
S18	SWITCH, COMB. AIR BLWR PROVE
(1)S21	LIMIT, SECONDARY
(2)S21	LIMIT, SECONDARY
S43	SWITCH, LOW PRESS. GAS
(1)S47	SWITCH, FLAME ROLLOUT
(2)S47	SWITCH, FLAME ROLLOUT
S51	SWITCH, DOOR INTERLOCK
T1	TRANSFORMER, CONTROL

WIRING DIAGRAM FOR UNITS CONVERTED FROM 3MC-4 RAMBOARD TO EGC-1 BOARD.

UNIT	FACTORY CONNECTED SPEED TAP		MOTOR SPEEDS AVAILABLE
	COOL	HEAT	
Q2-45/60	2	4	4
Q3-60/75	2	4	4
Q4-75, 3/4-100	2	4	5
Q4/5-100/120	2	5	5
Q2-75	2	3	4
Q4/5-140, 3/4-120	2	3	5

BLOWER SPEED SELECTION					
HI ← → LO					
SPEED TAP	2	3	4	5	4
	2	3	4	5	6

IMPORTANT-TO PREVENT MOTOR BURNOUT, NEVER CONNECT MORE THAN ONE MOTOR LEAD TO ANY ONE CONNECTION.



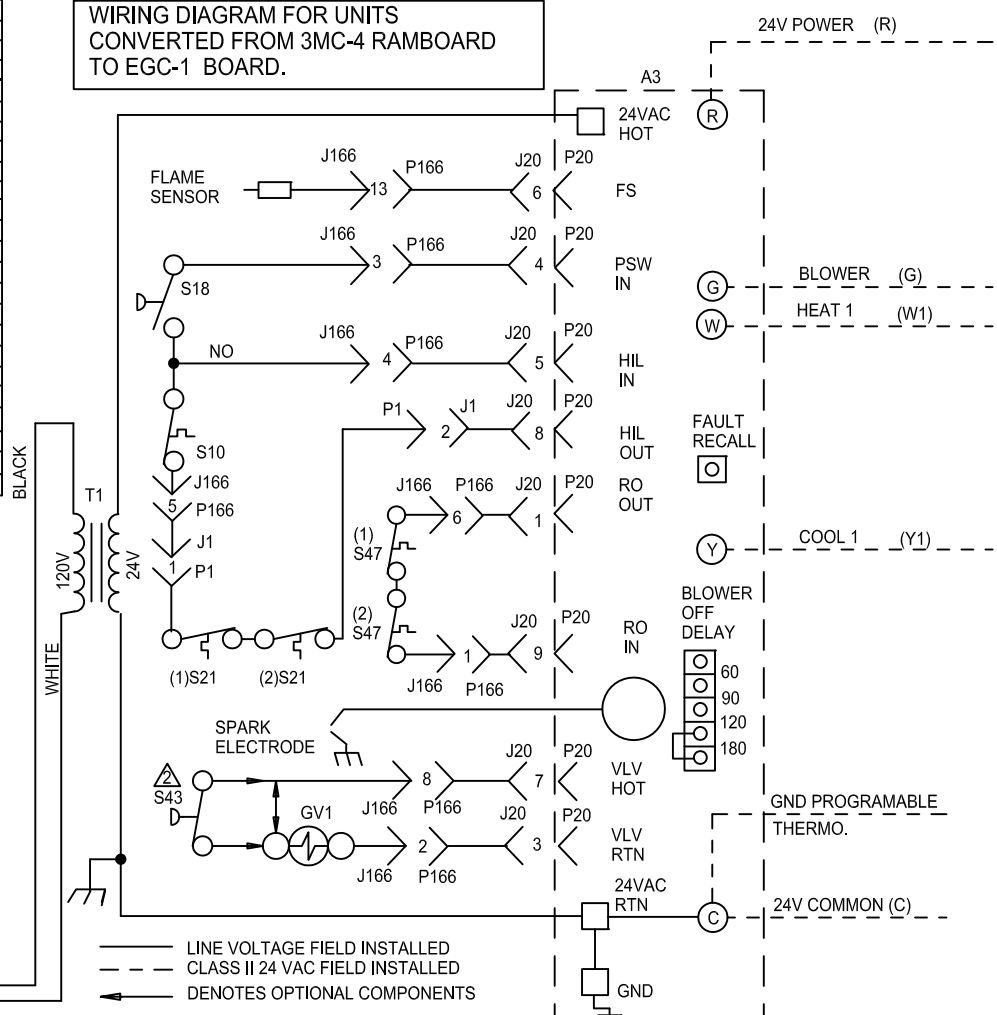
⚠ TO CHANGE MOTOR SPEED TAP AND FOR BLOWER SPEED SELECTION PROCEDURE, REFER TO INSTALLATION INSTRUCTION

⚠ FOR PROPANE/LP ONLY

⚠ FIELD-INSTALLED, KIT PROVIDED CONTINUOUS FAN JUMPER USED TO OBTAIN CONTINUOUS FAN ON HEATING SPEED.

Do not install jumper if continuous low speed is installed, either at control board ACB terminal or a separate circuit controlled by terminal G of the thermostat.

SEE BLOWER SPEED CHART 5 SPEED MOTOR SHOWN




— LINE VOLTAGE FIELD INSTALLED
 - - - CLASS II 24 VAC FIELD INSTALLED
 ← DENOTES OPTIONAL COMPONENTS

NOTE- IF ANY WIRE IN THIS APPLIANCE IS REPLACED, IT MUST BE REPLACED WITH WIRE OF LIKE SIZE, RATING AND INSULATION THICKNESS.

WARNING- ELECTRIC SHOCK HAZARD, CAN CAUSE INJURY OR DEATH. UNIT MUST BE GROUNDED IN ACCORDANCE WITH NATIONAL AND LOCAL CODES.

SET THERMOSTAT HEAT ANTICIPATION FOR 80MGF SERIES UNITS AS FOLLOWS:
 HONEYWELL VALVE7
 WHITE ROGERS VALVE5

LENNOX Industries Inc	WIRING DIAGRAM	11/08
HEATING UNITS-GAS DSI		
80MGF2(X)-45,60,75-1,3		
80MGF3(X)-60,75-1,3	80MGF3/4(X)-100,120-1,3	
80MGF4(X)-75-1,3	80MGF4/5(X)-100,120,140-1,3	
		
SECTION A		120/60/1
Supersedes Form No. 532,162W		New Form No. 535,330W