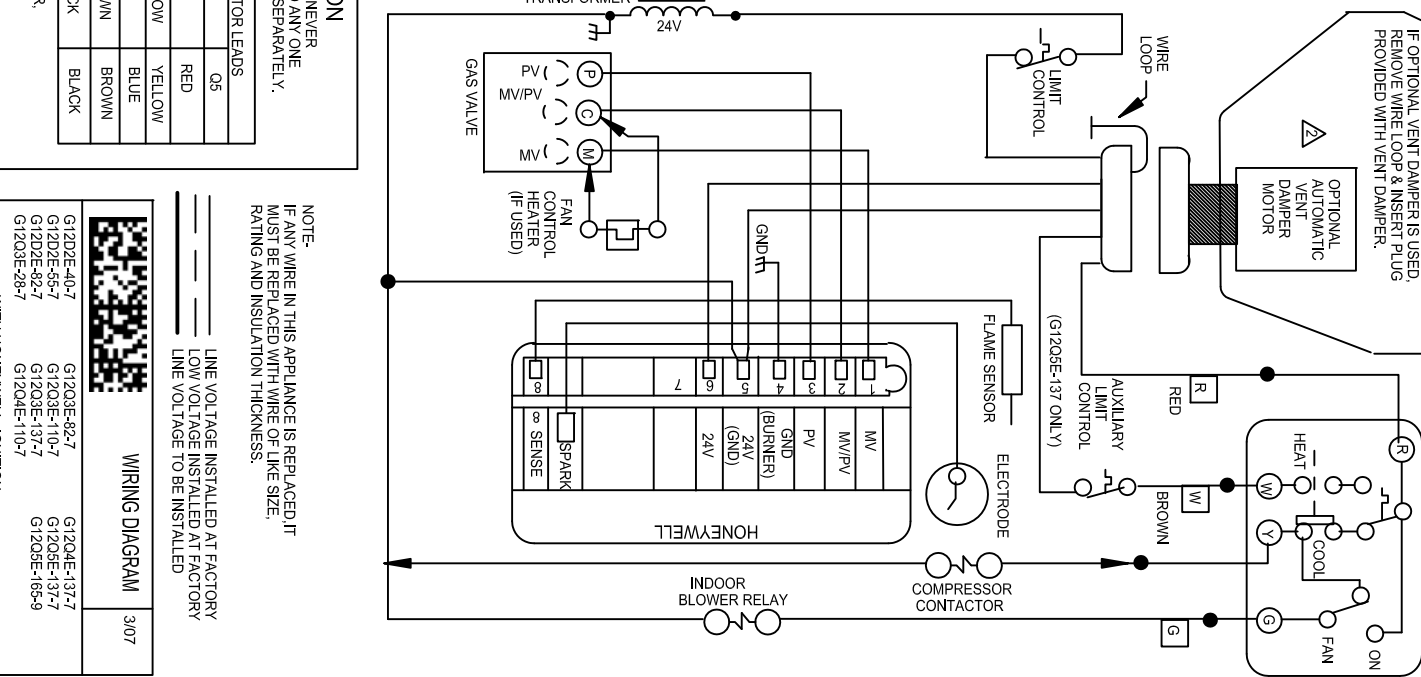
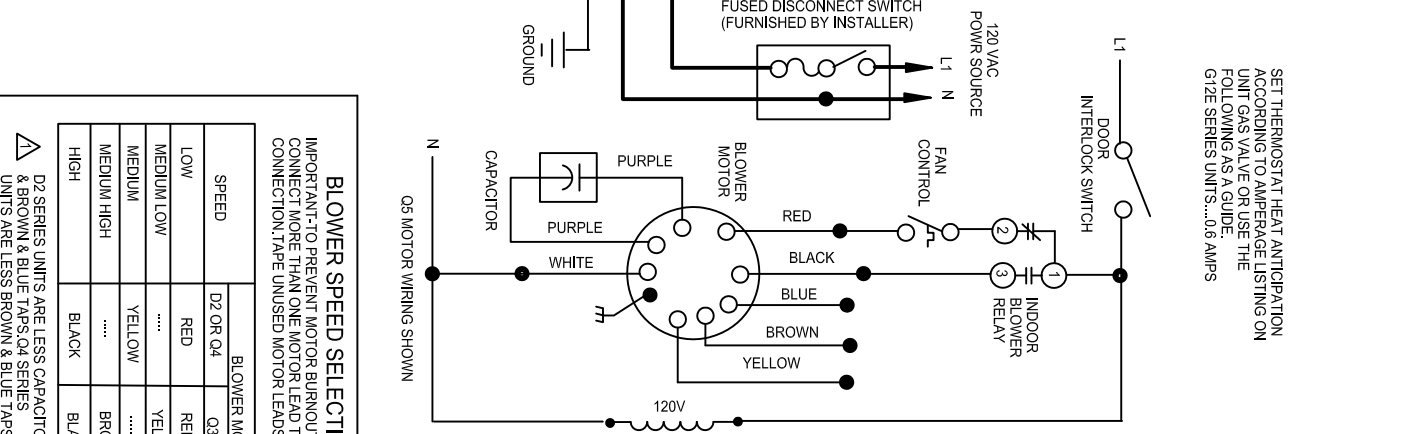
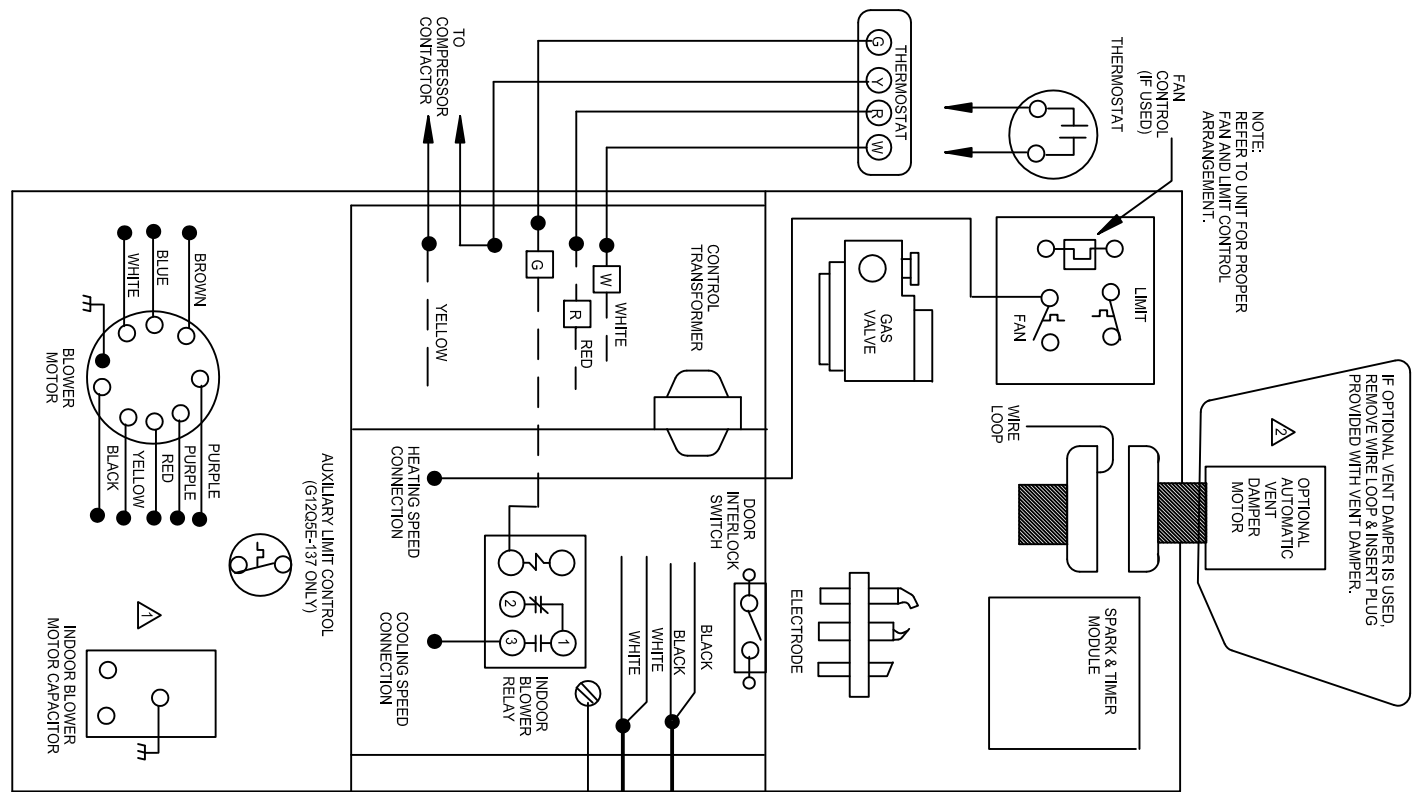


IF OPTIONAL VENT DAMPER IS USED, REMOVE WIRE LOOP & INSERT PLUG PROVIDED WITH VENT DAMPER.

SET THERMOSTAT HEAT ANTICIPATION ACCORDING TO AMPERAGE LISTING ON UNIT GAS VALVE OR USE THE FOLLOWING AS A GUIDE:
G12E SERIES UNITS...0.6 AMPS

IF OPTIONAL VENT DAMPER IS USED, REMOVE WIRE LOOP & INSERT PLUG PROVIDED WITH VENT DAMPER.



BLOWER SPEED SELECTION

IMPORTANT: TO PREVENT MOTOR BURNOUT NEVER CONNECT MORE THAN ONE MOTOR LEAD TO ANY ONE CONNECTION TAP. UNUSED MOTOR LEADS SEPARATELY.

SPEED	BLOWER MOTOR LEADS		
	D2 OR Q4	Q3	Q5
LOW	RED	RED	RED
MEDIUM LOW	...	YELLOW	YELLOW
MEDIUM	YELLOW	...	BLUE
MEDIUM HIGH	...	BROWN	BROWN
HIGH	BLACK	BLACK	BLACK

D2 SERIES UNITS ARE LESS CAPACITOR, & BROWN & BLUE TAPS. Q4 SERIES UNITS ARE LESS BROWN & BLUE TAPS. ON G1203E-28-7 UNITS.

NOTE:
IF ANY WIRE IN THIS APPLIANCE IS REPLACED, IT MUST BE REPLACED WITH WIRE OF LIKE SIZE, RATING AND INSULATION THICKNESS.

LINE VOLTAGE INSTALLED AT FACTORY
LOW VOLTAGE INSTALLED AT FACTORY
LINE VOLTAGE TO BE INSTALLED

WIRING DIAGRAM 3/07

G1202E-40-7	G1203E-82-7	G1204E-137-7
G1202E-55-7	G1203E-110-7	G1203E-137-7
G1202E-82-7	G1203E-137-7	G1203E-165-9
G1203E-28-7	G1204E-110-7	

WITH HONEYWELL IGNITION

New Form No. **535,788W**

Supersedes Form No. _____

© 2007 Litho U.S.A.