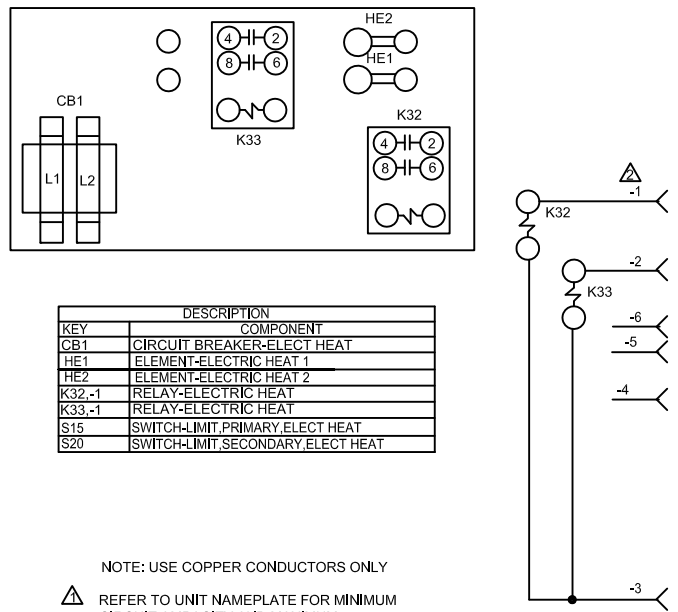


KEY	DESCRIPTION	COMPONENT
CB1	CIRCUIT BREAKER-ELECT HEAT	
HE1	ELEMENT-ELECTRIC HEAT 1	
HE2	ELEMENT-ELECTRIC HEAT 2	
K32 -1	RELAY-ELECTRIC HEAT	
K33 -1	RELAY-ELECTRIC HEAT	
S15	SWITCH-LIMIT PRIMARY ELECT HEAT	
S20	SWITCH-LIMIT SECONDARY ELECT HEAT	

NOTE: USE COPPER CONDUCTORS ONLY

⚠ REFER TO UNIT NAMEPLATE FOR MINIMUM CIRCUIT AMPACITY AND MAXIMUM OVERCURRENT PROTECTION SIZE.

⚠ CONNECT WIRES 1 THRU 9 TO P8 (9 PIN CONNECTOR) ON AHC CONTROL

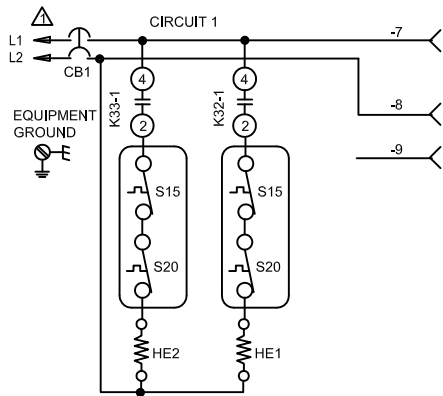


KEY	DESCRIPTION	COMPONENT
CB1	CIRCUIT BREAKER-ELECT HEAT	
HE1	ELEMENT-ELECTRIC HEAT 1	
HE2	ELEMENT-ELECTRIC HEAT 2	
K32 -1	RELAY-ELECTRIC HEAT	
K33 -1	RELAY-ELECTRIC HEAT	
S15	SWITCH-LIMIT PRIMARY ELECT HEAT	
S20	SWITCH-LIMIT SECONDARY ELECT HEAT	

NOTE: USE COPPER CONDUCTORS ONLY

⚠ REFER TO UNIT NAMEPLATE FOR MINIMUM CIRCUIT AMPACITY AND MAXIMUM OVERCURRENT PROTECTION SIZE.


⚠ CONNECT WIRES 1 THRU 9 TO P8 (9 PIN CONNECTOR) ON AHC CONTROL

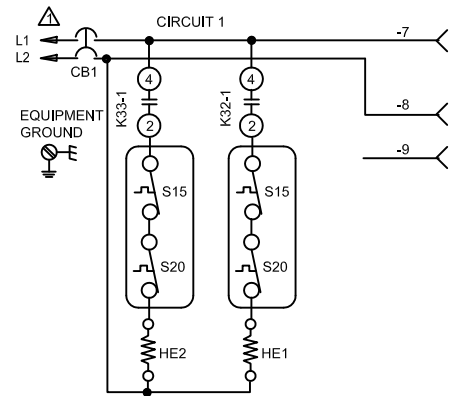


**LENNOX**® HEATING-ELECTRIC

ECB40-9CB-P

1108 Supersedes


1108  Form No. 537026-01



**LENNOX**® HEATING-ELECTRIC

ECB40-9CB-P

1108 Supersedes

1108  Form No. 537026-01