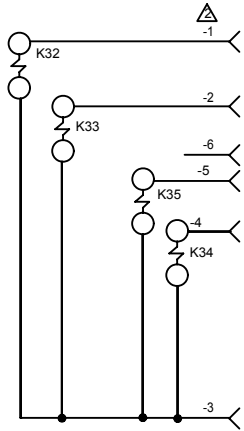
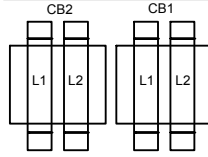
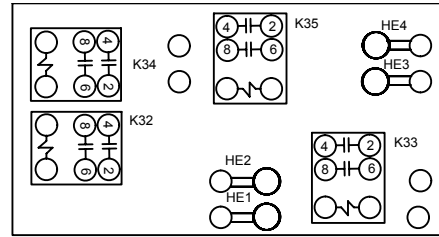


KEY	DESCRIPTION	COMPONENT
CB1	CIRCUIT BREAKER-ELECT HEAT	
CB2	CIRCUIT BREAKER-ELECT HEAT	
HE1	ELEMENT-ELECTRIC HEAT 1	
HE2	ELEMENT-ELECTRIC HEAT 2	
HE3	ELEMENT-ELECTRIC HEAT 3	
HE4	ELEMENT-ELECTRIC HEAT 4	
K32-1	RELAY-ELECTRIC HEAT	
K33-1	RELAY-ELECTRIC HEAT	
K34-1	RELAY-ELECTRIC HEAT	
K35-1	RELAY-ELECTRIC HEAT	
S15	SWITCH-LIMIT PRIMARY ELECT HEAT	
S20	SWITCH-LIMIT SECONDARY ELECT HEAT	

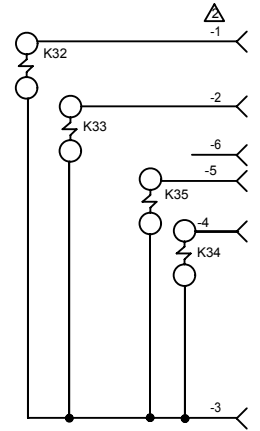


⚠ REFER TO UNIT NAMEPLATE FOR MINIMUM CIRCUIT AMPACITY AND MAXIMUM OVERCURRENT PROTECTION SIZE.

⚠ CONNECT WIRES TO 1 THRU 9 TO P8 (9 PIN CONNECTOR) ON AHC CONTROL



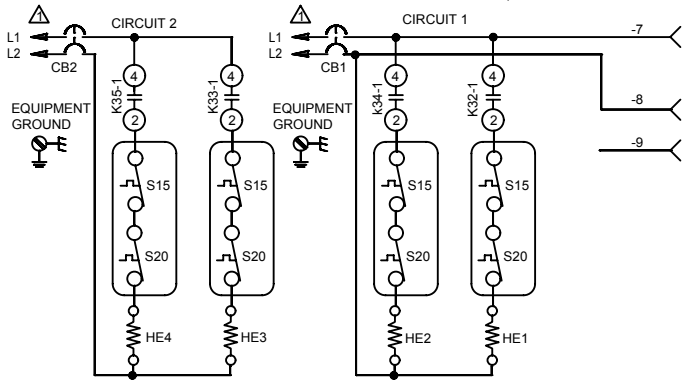
KEY	DESCRIPTION	COMPONENT
CB1	CIRCUIT BREAKER-ELECT HEAT	
CB2	CIRCUIT BREAKER-ELECT HEAT	
HE1	ELEMENT-ELECTRIC HEAT 1	
HE2	ELEMENT-ELECTRIC HEAT 2	
HE3	ELEMENT-ELECTRIC HEAT 3	
HE4	ELEMENT-ELECTRIC HEAT 4	
K32-1	RELAY-ELECTRIC HEAT	
K33-1	RELAY-ELECTRIC HEAT	
K34-1	RELAY-ELECTRIC HEAT	
K35-1	RELAY-ELECTRIC HEAT	
S15	SWITCH-LIMIT PRIMARY ELECT HEAT	
S20	SWITCH-LIMIT SECONDARY ELECT HEAT	



⚠ REFER TO UNIT NAMEPLATE FOR MINIMUM CIRCUIT AMPACITY AND MAXIMUM OVERCURRENT PROTECTION SIZE.

⚠ CONNECT WIRES TO 1 THRU 9 TO P8 (9 PIN CONNECTOR) ON AHC CONTROL

NOTE: USE COPPER CONDUCTORS ONLY



LENNOX HEATING-ELECTRIC

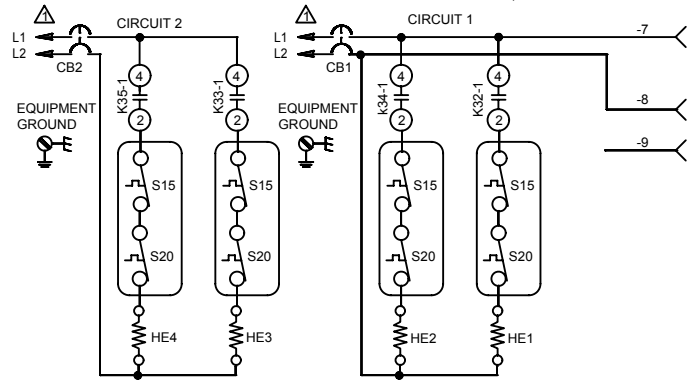
ECB40-20CB-P

1108 Supersedes

New Form No.

537028-01

NOTE: USE COPPER CONDUCTORS ONLY



LENNOX HEATING-ELECTRIC

ECB40-20CB-P

1108 Supersedes

New Form No.

537028-01