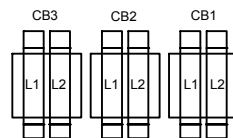
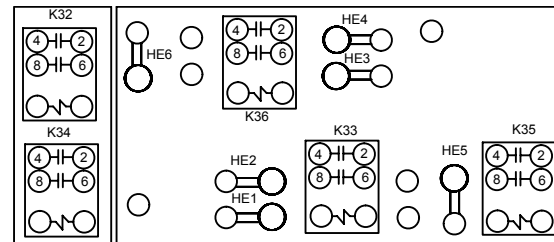
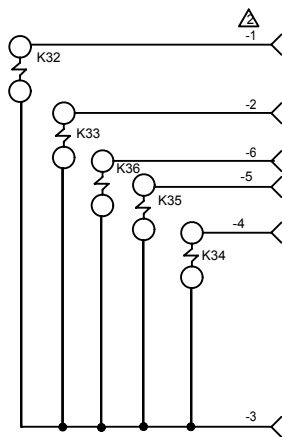
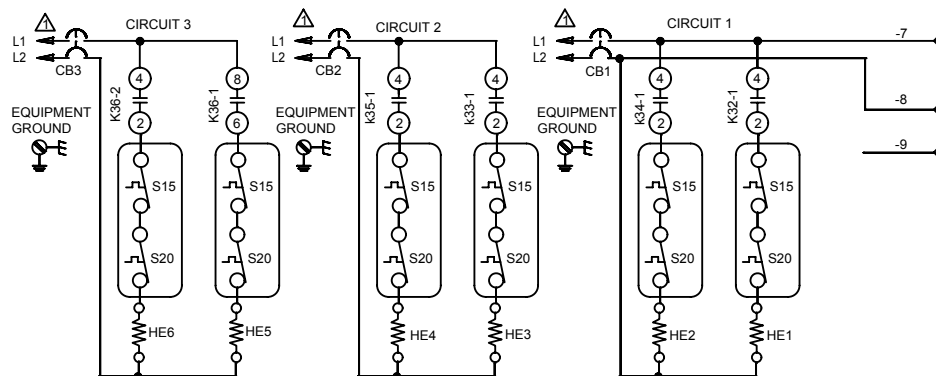
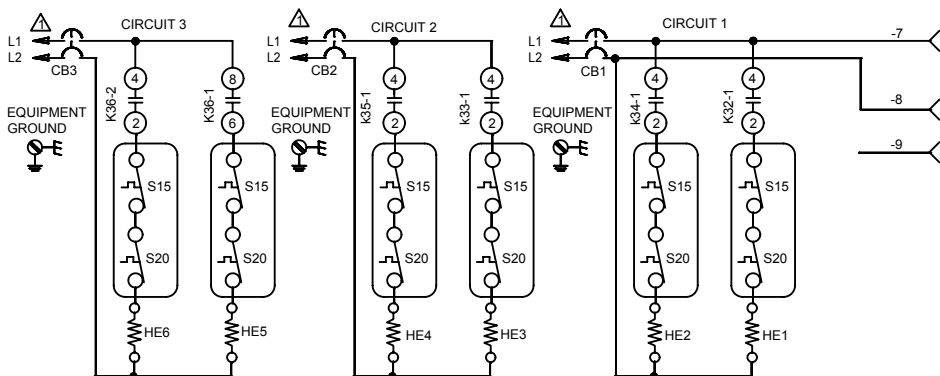
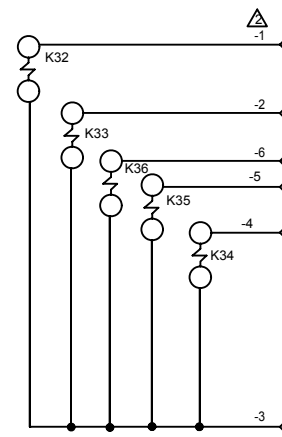


| KEY | COMPONENT |
|----------|-----------------------------------|
| CB1 | CIRCUIT BREAKER-ELECT HEAT |
| CB2 | CIRCUIT BREAKER-ELECT HEAT |
| CB3 | CIRCUIT BREAKER-ELECT HEAT |
| HE1 | ELEMENT-ELECTRIC HEAT 1 |
| HE2 | ELEMENT-ELECTRIC HEAT 2 |
| HE3 | ELEMENT-ELECTRIC HEAT 3 |
| HE4 | ELEMENT-ELECTRIC HEAT 4 |
| HE5 | ELEMENT-ELECTRIC HEAT 5 |
| HE6 | ELEMENT-ELECTRIC HEAT 6 |
| K32,-1 | RELAY-ELECTRIC HEAT |
| K33,-1 | RELAY-ELECTRIC HEAT |
| K34,-1 | RELAY-ELECTRIC HEAT |
| K35,-1 | RELAY-ELECTRIC HEAT |
| K36,-1,2 | RELAY-ELECTRIC HEAT |
| S15 | SWITCH-LIMIT,PRIMARY,ELECT HEAT |
| S20 | SWITCH-LIMIT,SECONDARY,ELECT HEAT |



| KEY | COMPONENT |
|----------|-----------------------------------|
| CB1 | CIRCUIT BREAKER-ELECT HEAT |
| CB2 | CIRCUIT BREAKER-ELECT HEAT |
| CB3 | CIRCUIT BREAKER-ELECT HEAT |
| HE1 | ELEMENT-ELECTRIC HEAT 1 |
| HE2 | ELEMENT-ELECTRIC HEAT 2 |
| HE3 | ELEMENT-ELECTRIC HEAT 3 |
| HE4 | ELEMENT-ELECTRIC HEAT 4 |
| HE5 | ELEMENT-ELECTRIC HEAT 5 |
| HE6 | ELEMENT-ELECTRIC HEAT 6 |
| K32,-1 | RELAY-ELECTRIC HEAT |
| K33,-1 | RELAY-ELECTRIC HEAT |
| K34,-1 | RELAY-ELECTRIC HEAT |
| K35,-1 | RELAY-ELECTRIC HEAT |
| K36,-1,2 | RELAY-ELECTRIC HEAT |
| S15 | SWITCH-LIMIT,PRIMARY,ELECT HEAT |
| S20 | SWITCH-LIMIT,SECONDARY,ELECT HEAT |



NOTE: USE COPPER CONDUCTORS ONLY

⚠ REFER TO UNIT NAMEPLATE FOR MINIMUM CIRCUIT AMPACITY AND MAXIMUM OVERCURRENT PROTECTION SIZE.

⚠ CONNECT WIRES 1 THRU 9 TO P8 (9 PIN CONNECTOR) ON AHC CONTROL

LENNOX HEATING-ELECTRIC

ECB40-25CB-P

| | |
|--------------|------------|
| 1108 | Supersedes |
| New Form No. | |
| 537029-01 | |

© 2008 Litho U.S.A.

NOTE: USE COPPER CONDUCTORS ONLY

⚠ REFER TO UNIT NAMEPLATE FOR MINIMUM CIRCUIT AMPACITY AND MAXIMUM OVERCURRENT PROTECTION SIZE.

⚠ CONNECT WIRES 1 THRU 9 TO P8 (9 PIN CONNECTOR) ON AHC CONTROL

LENNOX HEATING-ELECTRIC

ECB40-25CB-P

| | |
|--------------|------------|
| 1108 | Supersedes |
| New Form No. | |
| 537029-01 | |

© 2008 Litho U.S.A.