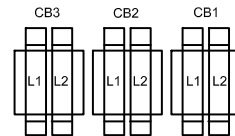
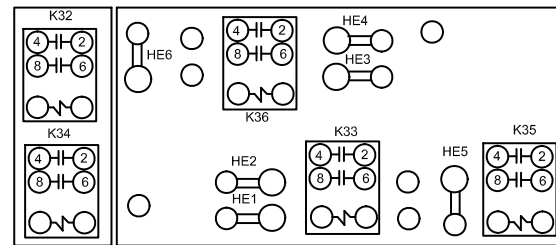
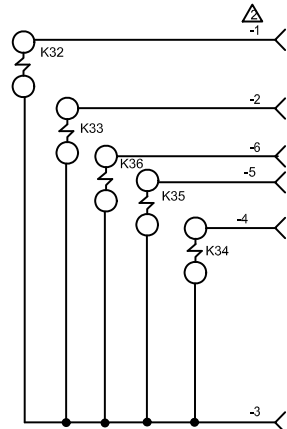
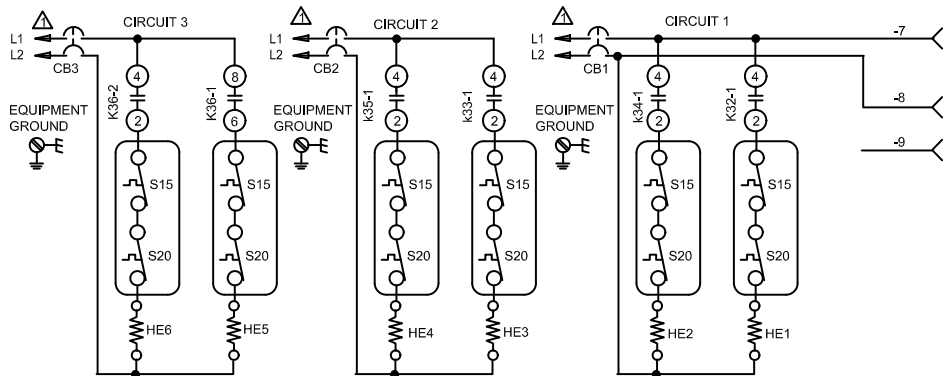
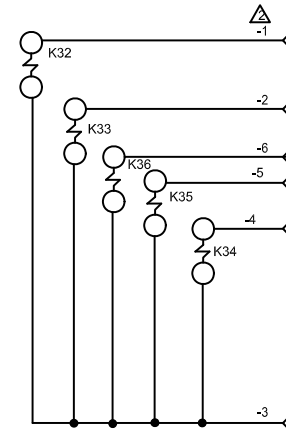


KEY	DESCRIPTION	COMPONENT
CB1	CIRCUIT BREAKER-ELECT HEAT	
CB2	CIRCUIT BREAKER-ELECT HEAT	
CB3	CIRCUIT BREAKER-ELECT HEAT	
HE1	ELEMENT-ELECTRIC HEAT	
HE2	ELEMENT-ELECTRIC HEAT 2	
HE3	ELEMENT-ELECTRIC HEAT 3	
HE4	ELEMENT-ELECTRIC HEAT 4	
HE5	ELEMENT-ELECTRIC HEAT 5	
HE6	ELEMENT-ELECTRIC HEAT 6	
K32,-1	RELAY-ELECTRIC HEAT	
K33,-1	RELAY-ELECTRIC HEAT	
K34,-1	RELAY-ELECTRIC HEAT	
K35,-1	RELAY-ELECTRIC HEAT	
K36,-1,2	RELAY-ELECTRIC HEAT	
S15	SWITCH-LIMIT PRIMARY,ELECT HEAT	
S20	SWITCH-LIMIT SECONDARY,ELECT HEAT	



KEY	DESCRIPTION	COMPONENT
CB1	CIRCUIT BREAKER-ELECT HEAT	
CB2	CIRCUIT BREAKER-ELECT HEAT	
CB3	CIRCUIT BREAKER-ELECT HEAT	
HE1	ELEMENT-ELECTRIC HEAT	
HE2	ELEMENT-ELECTRIC HEAT 2	
HE3	ELEMENT-ELECTRIC HEAT 3	
HE4	ELEMENT-ELECTRIC HEAT 4	
HE5	ELEMENT-ELECTRIC HEAT 5	
HE6	ELEMENT-ELECTRIC HEAT 6	
K32,-1	RELAY-ELECTRIC HEAT	
K33,-1	RELAY-ELECTRIC HEAT	
K34,-1	RELAY-ELECTRIC HEAT	
K35,-1	RELAY-ELECTRIC HEAT	
K36,-1,2	RELAY-ELECTRIC HEAT	
S15	SWITCH-LIMIT PRIMARY,ELECT HEAT	
S20	SWITCH-LIMIT SECONDARY,ELECT HEAT	



**LENNOX** HEATING-ELECTRIC

ECB40-25CB-P

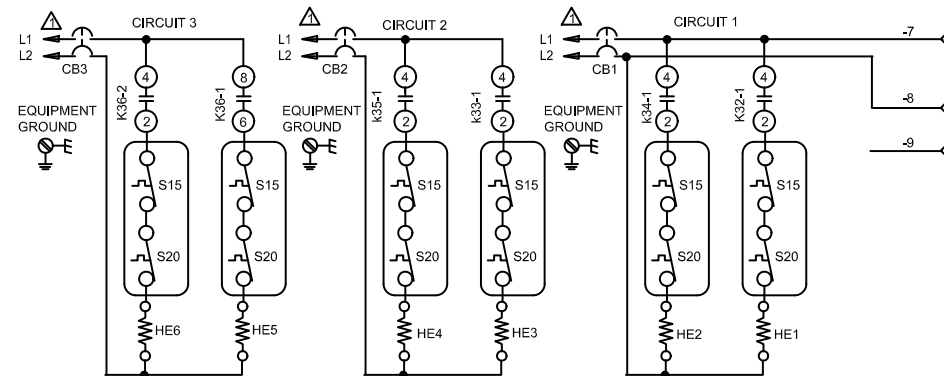
1108	Supersedes
New Form No.	

537029-01

NOTE: USE COPPER CONDUCTORS ONLY

⚠ REFER TO UNIT NAMEPLATE FOR MINIMUM CIRCUIT AMPACITY AND MAXIMUM OVERCURRENT PROTECTION SIZE.

⚠ CONNECT WIRES 1 THRU 9 TO P8 (9 PIN CONNECTOR) ON AHC CONTROL



**LENNOX** HEATING-ELECTRIC

ECB40-25CB-P

1108	Supersedes
New Form No.	

537029-01

NOTE: USE COPPER CONDUCTORS ONLY

⚠ REFER TO UNIT NAMEPLATE FOR MINIMUM CIRCUIT AMPACITY AND MAXIMUM OVERCURRENT PROTECTION SIZE.

⚠ CONNECT WIRES 1 THRU 9 TO P8 (9 PIN CONNECTOR) ON AHC CONTROL