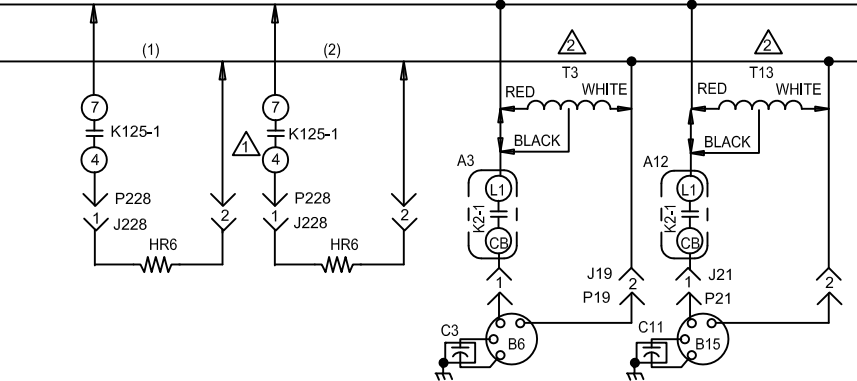


DESCRIPTION	
KEY	DESCRIPTION
A3	CONTROL, BURNER 1
A12	CONTROL, BURNER 2
B6	MOTOR, COMBUSTION AIR BLOWER 1
B15	MOTOR, COMBUSTION AIR BLOWER 2
C3	CAPACITOR, COMB AIR BLOWER 1
C11	CAPACITOR, COMB AIR BLOWER 2
E1	SPARK
FS1	SENSOR, FLAME
GV1	VALVE, GAS 1
GV2	VALVE, GAS 2
HR6	HEATER, -50C LOW AMBIENT KIT
J1	JACK, GAS LIMIT
J2	HJACK, HEAT
J19	JACK, COMBUSTION AIR BLOWER 1
J21	JACK, COMBUSTION AIR BLOWER 2
J117	JACK, GAS 2 CONTROL
J216	JACK, PRIMARY LIMIT
J228	JACK, VESTIBULE HEATER
J229	JACK, VESTIBULE HEATER CONTROL 1
J230	JACK, VESTIBULE HEATER CONTROL 2
K125,-1	RELAY, HEAT SHUT OFF
P1	PLUG, GAS LIMIT
P2	PLUG, HEAT
P15	PLUG, F.A.T SHIFT
P19	PLUG, COMB AIR BLOWER
P21	PLUG, COMB AIR BLOWER 2
P117	PLUG, GAS 2 CONTROL
P216	PLUG, PRIMARY LIMIT
P228	PLUG, VESTIBULE HEATER
P229	PLUG, VESTIBULE HEATER, CONTROL 1



P230	PLUG, VESTIBULE HEATER, CONTROL 2
S10	SWITCH, LIMIT PRIMARY BURNER 1
S18	SWITCH, COMB AIR BLOWER, PROVE 1
S45	SWITCH, COMB AIR BLOWER, PROVE 2
S47	SWITCH, FLAME ROLLOUT BURNER 1
S59	TSTAT, OPEN -35C, CLOSE -50C
S60	TSTAT, -23C CL, -7C OP, -50C LOW AMB KIT
S61	TSTAT, +24C OPEN, -50C LOW AMB KIT
S69	SWITCH, FLAME ROLLOUT BURNER 2
S99	SWITCH, LIMIT PRIMARY BURNER 2
T3	TRANSFORMER, COMBUSTION AIR BLOWER 1
T13	TRANSFORMER, COMBUSTION AIR BLOWER 2

▲ CSA(-50C)LOW AMBIENT KIT (OPTIONAL)
 ▲ T3 & T13 USED ON 575V UNITS ONLY

■ INDICATES MICRO PROCESSOR
 ← DENOTES OPTIONAL COMPONENTS

09/15		WIRING DIAGRAM	09/15
		537056-02	
HEATING			
GAS HEAT FOR KGA - 260, 360 AND 480 UNITS			
SECTION A			REV. 0
Supersedes	New Form No. 537056-02		