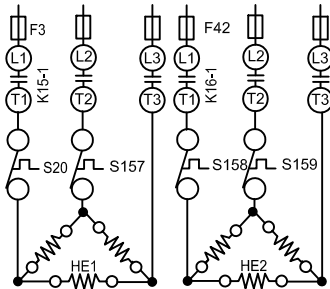
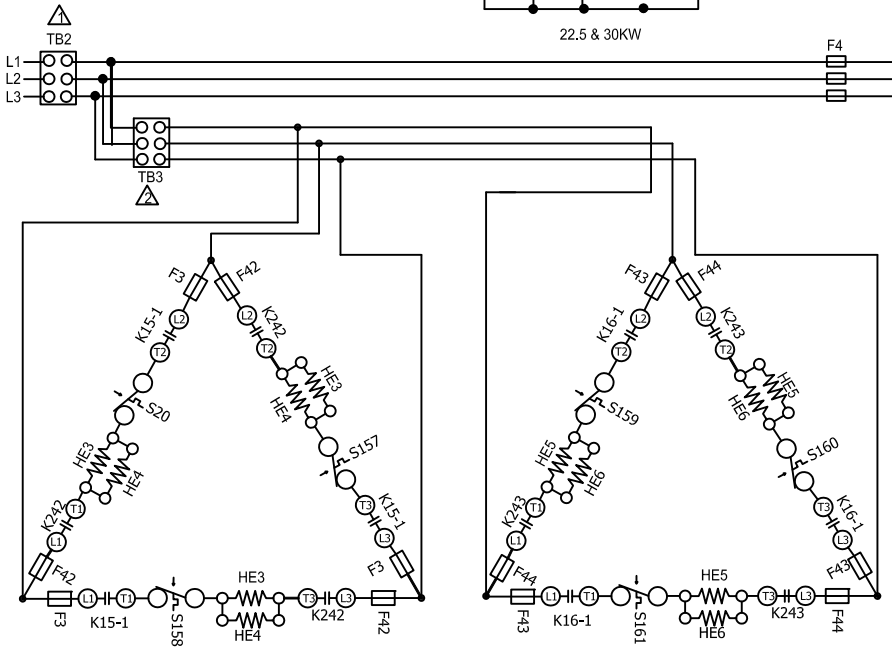
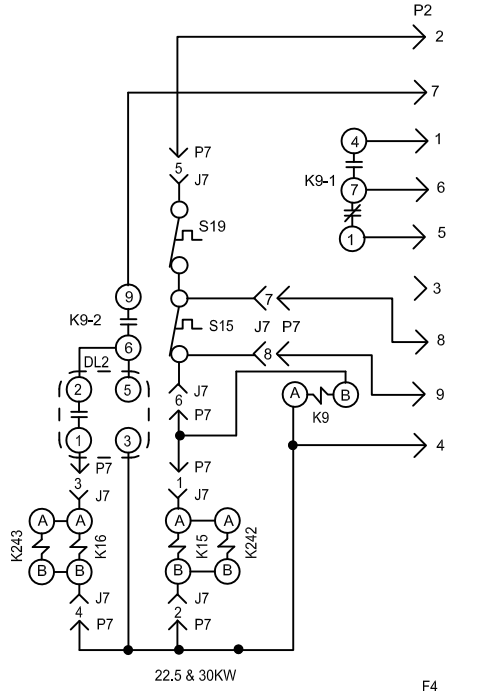


KEY	COMPONENT
DL2	DELAY-ELECTRIC HEAT
F3	FUSE-ELECTRIC HEAT
F4	FUSE-UNIT
F42	FUSE-ELECTRIC HEAT 2
F43	FUSE-ELECTRIC HEAT 3
F44	FUSE-ELECTRIC HEAT 4
HE1	ELEMENT-ELECT HEAT 1
HE2	ELEMENT-ELECT HEAT 2
HE3	ELEMENT-ELECT HEAT 3
HE4	ELEMENT-ELECT HEAT 4
HE5	ELEMENT-ELECT HEAT 5
HE6	ELEMENT-ELECT HEAT 6
K9-1	RELAY-HEAT
K15-1	CONTACTOR-ELECTRIC HT 1
K16-1	CONTACTOR-ELECTRIC HT 2
K242-1	CONTACTOR-ELECTRIC HT 1
K243-1	CONTACTOR-ELECTRIC HT 2
S15	SWITCH-LIMIT PRIMARY ELECT HT
S19	THERMOSTAT-ELECTRIC HEAT LIMIT
S20	SWITCH-LIMIT,SECONDARY ELECT HT
S157	SWITCH-LIMIT,SECONDARY ELECT HT 2
S158	SWITCH-LIMIT,SECONDARY ELECT HT 3
S159	SWITCH-LIMIT,SECONDARY ELECT HT 4
S160	SWITCH-LIMIT,SECONDARY ELECT HT 5
S161	SWITCH-LIMIT,SECONDARY ELECT HT 6
TB2	TERMINAL STRIP-UNIT
TB3	TERMINAL STRIP-ELECTRIC HEAT

J/P	JACK/PLUG DESCRIPTION
2	UNIT, HEAT
7	ELECTRIC HEAT SUB BASE KIT



⚠ TB2,S48 OR CB10 MAY BE USED
 ⚠ TB3 IS USED ON SOME UNITS

KW	HE1	HE2	HE3	HE4	HE5	HE6
7.5	7.5					
15	15					
22.5	15	7.5				
30	15	15				
45	15			15	15	
60			15	15	15	15

11/14	WIRING DIAGRAM	11/14
537058-02		
HEATING - ELECTRIC		
7.5, 15, 22.5, 30, 45, 60 - Y		
SECTION A		REV 2
Supersedes	New Form No. 537058-02	