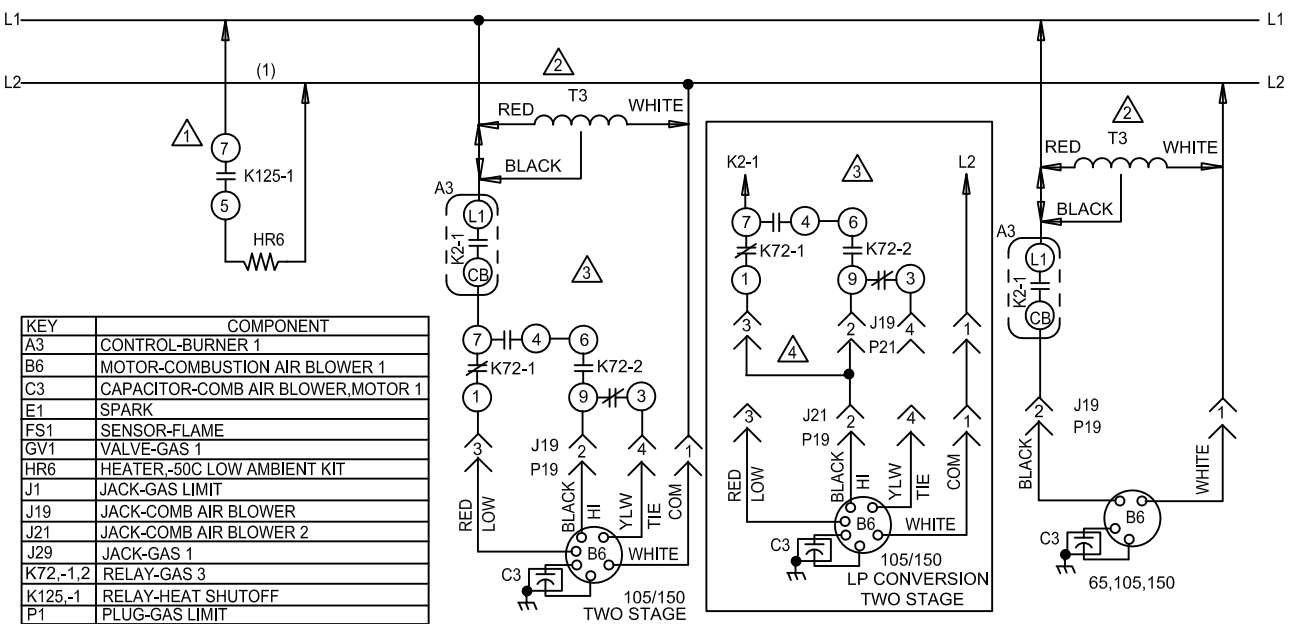


- △1 CSA(-50C)LOW AMBIENT KIT (OPTIONAL)
- △2 T3 USED ON 480V AND 600V UNITS
- △3 K72 AND GV1 2 STG ARE USED ON TWO STAGE UNITS
- △4 ADD J21,P21, AND S43 FOR TWO STAGE LP GAS UNITS

■ INDICATES MICRO PROCESSOR
 ← DENOTES OPTIONAL COMPONENTS



KEY	COMPONENT
A3	CONTROL-BURNER 1
B6	MOTOR-COMBUSTION AIR BLOWER 1
C3	CAPACITOR-COMB AIR BLOWER,MOTOR 1
E1	SPARK
FS1	SENSOR-FLAME
GV1	VALVE-GAS 1
HR6	HEATER,-50C LOW AMBIENT KIT
J1	JACK-GAS LIMIT
J19	JACK-COMB AIR BLOWER
J21	JACK-COMB AIR BLOWER 2
J29	JACK-GAS 1
K72,-1,2	RELAY-GAS 3
K125,-1	RELAY-HEAT SHUTOFF
P1	PLUG-GAS LIMIT
P2	PLUG-HEAT
P19	PLUG-COMB AIR BLOWER
P21	PLUG-COMB AIR BLOWER 2
S10	SWITCH-LIMIT, PRIMARY GAS
S18	SWITCH-COMB AIR BLOWER, PROVE
S43	SWITCH-LOW GAS PRESSURE
S47	SWITCH-FLAME ROLLOUT, BURNER 1
S59	THERMOSTAT-OPEN -20F, CLOSE 10F
S60	THERMOSTAT-OPEN 20F, CLOSE -10F
S61	THERMOSTAT-OPEN 50F, CLOSE 20F
T3	TRANSFORMER-COMB AIR BLOWER

	LANDMARK WIRING DIAGRAM	09/11
	HEATING	
GAS HEAT - KGA - 65 THRU 150 UNITS		
SECTION A		REV 2
Supersedes	New Form No.	537061-01
© 2011	Lennox Commercial	