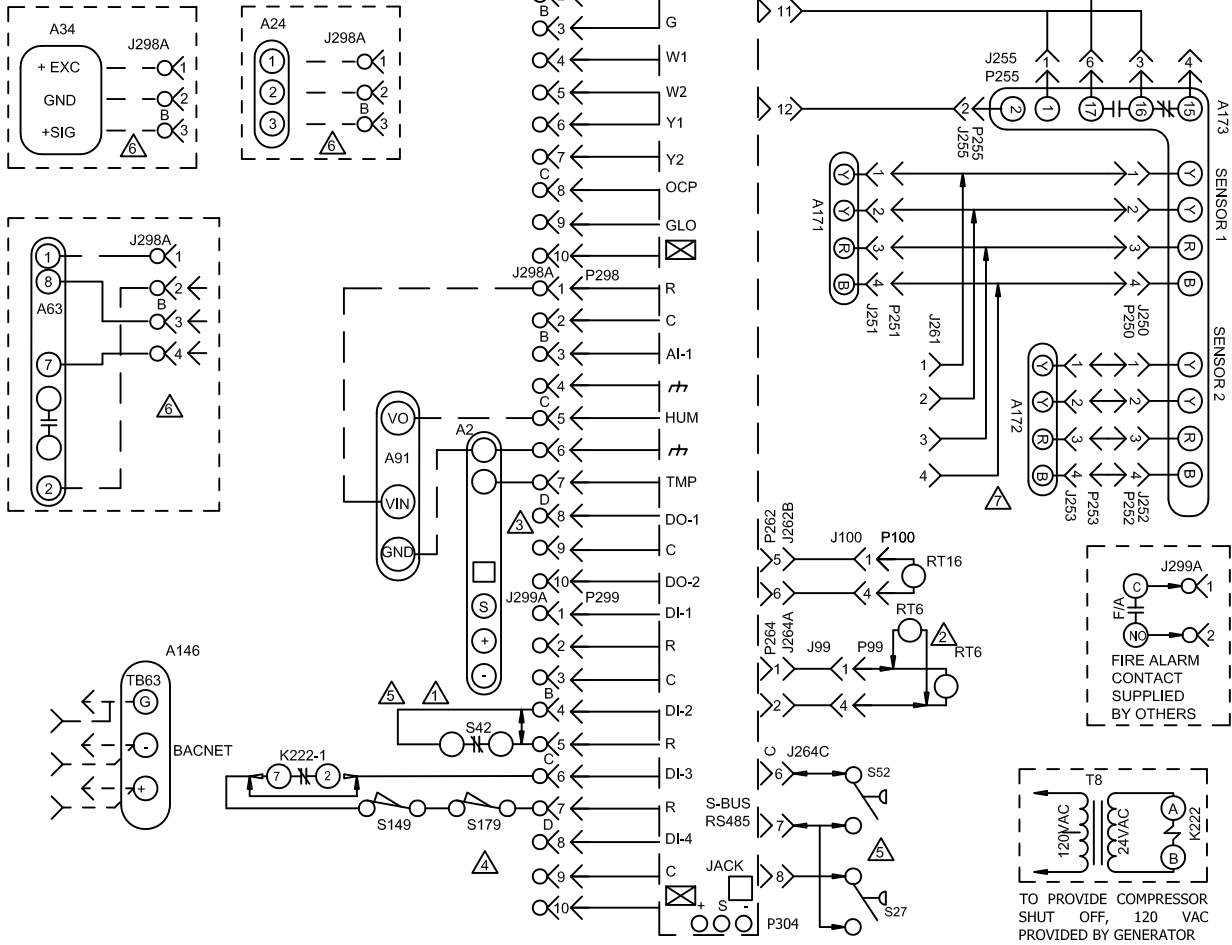


24 V POWER



24 V COMMON

KEY	DESCRIPTION
A2	SENSOR, ELECTRONIC THERMOSTAT
A24	CONTROL, OUTDOOR AIR CFM FLOW
A34	DUCT STATIC PRESSURE
A55	PANEL, LENNOX MAIN PANEL
A63	SENSOR, CO2 (IAQ) OPTIONAL
A91	SENSOR, HUMIDITY
A146	CONTROL, BACNET GATEWAY
A171	SENSOR ONE, SMOKE, RETURN AIR
A172	SENSOR TWO, SMOKE, SUPPLY AIR
A173	MODULE, CONTROL SMOKE DETECTION
J99	JACK, RT6 SUPPLY AIR SENSOR
J100	JACK, RT16 RETURN AIR SENSOR
J250	JACK, SMOKE DETECTOR ONE
J251	JACK, SMOKE DETECTOR ONE
J252	JACK, SMOKE DETECTOR TWO
J253	JACK, SMOKE DETECTOR TWO
J255	JACK, MODULE, CONTROL SMOKE DETECTION
J261	JACK, SUPPLY SMOKE DETECTOR JUMPER
J262	JACK, ECONOMIZER
J264	JACK, BLOWER DECK
J297	JACK, THERMOSTAT - DDC INTERFACE
J298	JACK, IAQ INTERFACE
J299	JACK, SAFETY INTERFACE
K222-1	RELAY, COMPRESSOR LOCKOUT
P99	PLUG, RT6 SUPPLY AIR SENSOR
P100	PLUG, RT16 RETURN AIR SENSOR
P250	PLUG, SMOKE DETECTOR ONE
P251	PLUG, SMOKE DETECTOR ONE
P252	PLUG, SMOKE DETECTOR TWO
P253	PLUG, SMOKE DETECTOR TWO
P255	PLUG, MODULE, CONTROL SMOKE DETECTION
P262	PLUG, BLOWER DECK
P264	PLUG, THERMOSTAT - DDC INTERFACE
P297	PLUG, IAQ INTERFACE
P298	PLUG, SAFETY INTERFACE
P299	PLUG, SYS BUS
P304	PLUG, SYS BUS
RT6	SENSOR, SUPPLY AIR TEMP
RT16	SENSOR, RETURN AIR TEMP
S27	SWITCH, FILTER
S52	SWITCH, AIRFLOW
S42	SWITCH, OVERLOAD RELAY BLOWER MOTOR
S149	SWITCH, OVERFLOW ONE
S179	SWITCH, OVERFLOW TWO
T8	TRANSFORMER, 120V GENERATOR POWERED

- 1 FOR MOTORS WITH S42 EXTERNAL OVERLOAD
- 2 REMOTE LOCATION OF RT6
- 3 P298-8 IS SERVICE RELAY OUTPUT (24VAC) IF USED CONNECT TO AN INDICATOR LIGHT
- 4 S179, OVERFLOW SWITCH USED ON LGH/LCH 420-600 UNITS ONLY
- 5 PRODIGY SETTINGS NEED TO BE MODIFIED WHEN K222, S42, S52, S149 OR S179 ARE INSTALLED
- 6 A63, A34 & A24 ARE MUTUALLY EXCLUSIVE
- 7 CONNECT A172 SENSOR TO J261 ON SUPPLY AIR SMOKE DETECTOR ONLY.

— DESIGNATES OPTIONAL WIRING
 - - - CLASS II FIELD WIRING

01/15	WIRING DIAGRAM	01/15
537110-03		
ACCESSORIES		
CONTROL FOR EMERGENCE SERIES BACnet MODULE		
SECTION C		REV 0
Supersedes		New Form No. 537110-03