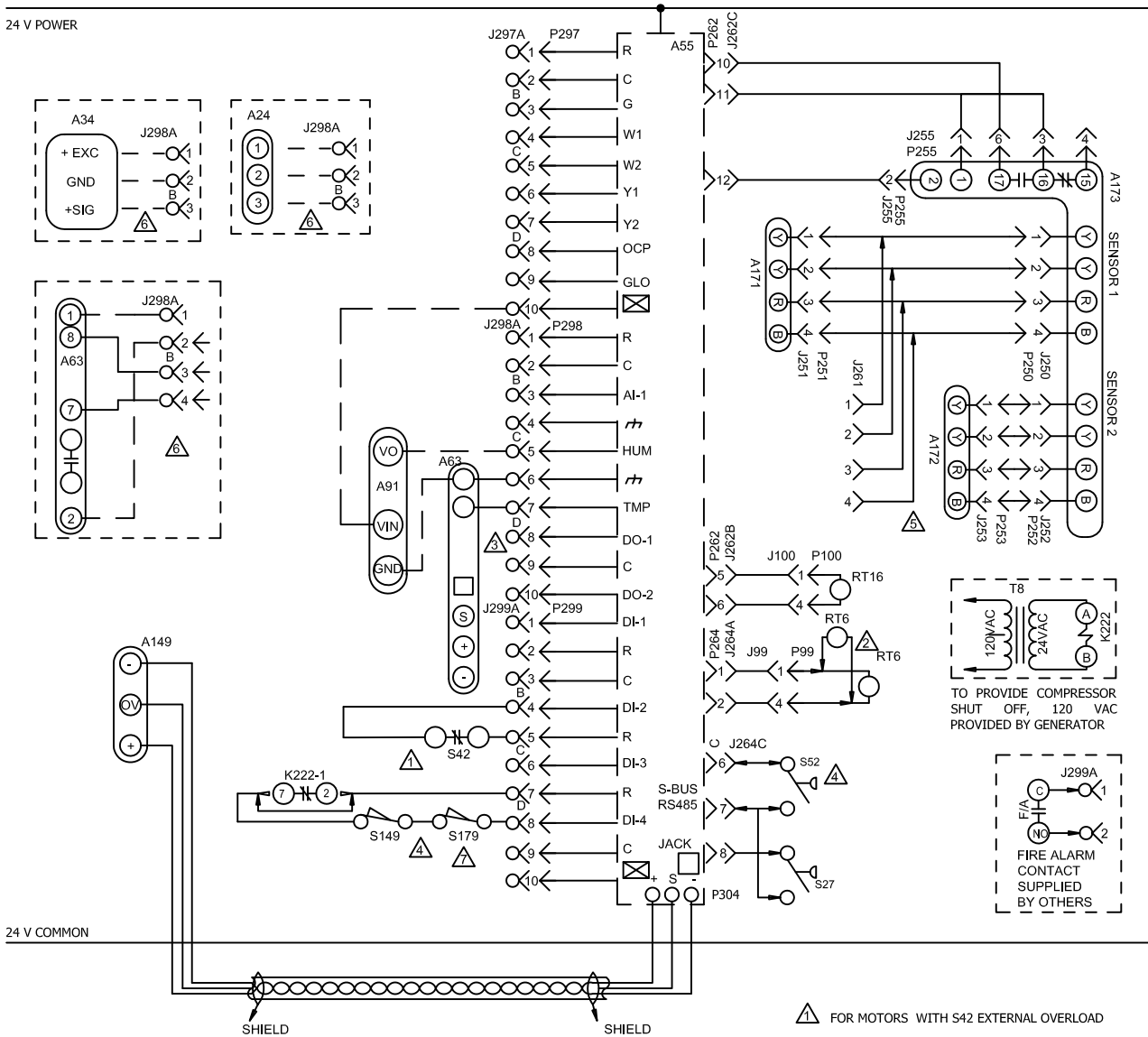


24 V POWER




KEY	DESCRIPTION	COMPONENT
A2	SENSOR, ELECTRONIC THERMOSTAT	
A24	CONTROL, OUTDOOR AIR CFM FLOW	
A34	DUCT STATIC PRESSURE	
A55	PANEL, LENNOX MAIN PANEL	
A63	SENSOR, CO2 (IAQ) OPTIONAL	
A91	SENSOR, HUMIDITY	
A149	CONTROL, CPC E2 INTERFACE	
A171	SENSOR ONE, SMOKE, RETURN AIR	
A172	SENSOR TWO, SMOKE, SUPPLY AIR	
A173	MODULE, CONTROL SMOKE DETECTION	
J99	JACK, RT6 SUPPLY AIR SENSOR	
J100	JACK, RT16 RETURN AIR SENSOR	
J250	JACK, SMOKE DETECTOR ONE	
J251	JACK, SMOKE DETECTOR ONE	
J252	JACK, SMOKE DETECTOR TWO	
J253	JACK, SMOKE DETECTOR TWO	
J255	JACK, MODULE, CONTROL SMOKE DETECTION	
J261	JACK, SUPPLY SMOKE DETECTOR JUMPER	
J262	JACK, ECONOMIZER	
J264	JACK, BLOWER DECK	
J297	JACK, THERMOSTAT - DDC INTERFACE	
J298	JACK, IAQ INTERFACE	
J299	JACK, SAFETY INTERFACE	
K222	RELAY, COMPRESSOR LOCKOUT	
P99	PLUG, RT6 SUPPLY AIR SENSOR	
P100	PLUG, RT16 RETURN AIR SENSOR	
P250	PLUG, SMOKE DETECTOR ONE	
P251	PLUG, SMOKE DETECTOR ONE	
P252	PLUG, SMOKE DETECTOR TWO	
P253	PLUG, SMOKE DETECTOR TWO	
P255	PLUG, MODULE, CONTROL SMOKE DETECTION	
P262	PLUG, BLOWER DECK	

P264	PLUG, THERMOSTAT - DDC INTERFACE
P297	PLUG, IAQ INTERFACE
P298	PLUG, SAFETY INTERFACE
P299	PLUG, SYS BUS
P304	PLUG, SYS BUS
RT6	SENSOR, SUPPLY AIR TEMP
RT16	SENSOR, RETURN AIR TEMP
S27	SWITCH, FILTER
S52	SWITCH, AIRFLOW
S42	SWITCH, OVERLOAD RELAY BLOWER MOTOR LO
S149	SWITCH, OVERFLOW
S179	SWITCH, OVERFLOW 2
T8	TRANSFORMER, 120V GENERATOR POWERED

- ▲ FOR MOTORS WITH S42 EXTERNAL OVERLOAD
- ▲ REMOTE LOCATION OF RT6
- ▲ P298-8 IS SERVICE RELAY OUTPUT (24VAC) IF USED CONNECT TO AN INDICATOR LIGHT
- ▲ PRODIGY SETTINGS MUST BE MODIFIED WHEN K222, S42, S52, S179 OR S149 ARE INSTALLED
- ▲ CONNECT A172 SENSOR TO J261 ON SUPPLY AIR SMOKE DETECTOR ONLY
- ▲ A63, A34 & A24 ARE MUTUALLY EXCLUSIVE
- ▲ S179 OVERFLOW SWITCH USED ON LGH/LCH 420-600 UNITS ONLY

--- DESIGNATES OPTIONAL WIRING
 --- CLASS II FIELD WIRING

01/15		WIRING DIAGRAM	01/15
	537111-02		
	CONTROLS		
	CONTROLS FOR EMERGENCE SERIES CPC E2 INTERFACE		
SECTION C			REV 0
Supersedes		New Form No. 537111-02	