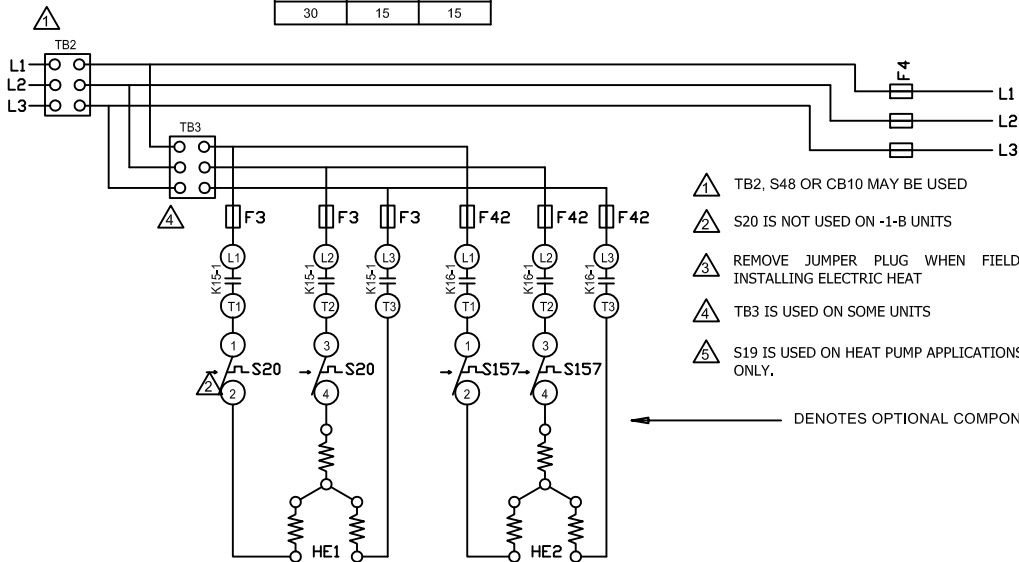


DESIGNATION	VOLTAGE
G	460/60/3
J	575/60/3

KEY	DESCRIPTION
A55	PANEL, MAIN
F3	FUSE, ELECTRIC HEAT
F4	FUSE, UNIT
F42	FUSE, ELECTRIC HEAT 1 A, 2A
HE1	ELEMENT, ELECTRIC HEAT 1
HE2	ELEMENT, ELECTRIC HEAT 2
J2	JACK, ELECTRIC HEAT
J265C	JACK, CONTACTOR RELAY
J266A	JACK, HEATING CONTROL STG 1
J271A,B	JACK, HEATING SENSORS STG 1
K15,-1	CONTACTOR, ELECTRIC HEAT 1
K16,-1	CONTACTOR, ELECTRIC HEAT 2
P2	PLUG, ELECTRIC HEAT
P265	PLUG, CONTACTOR RELAY
P266	PLUG, HEATING CONTROL
P271	PLUG, HEATING SENSORS STG 1
S15	SWITCH LIMIT PRIMARY ELECTRIC HEAT
S19	THERMOSTAT, ELECTRIC HEAT LIMIT
S20	SWITCH LIMIT SECONDARY ELECTRIC HEAT 1
S157	SWITCH LIMIT SECONDARY ELECTRIC HEAT 2
TB2	TERMINAL STRIP, UNIT
TB3	TERMINAL STRIP, ELECTRIC HEAT
TB13	TERMINAL STRIP, POWER DISTRIBUTION

B UNITS

KW	HE1	HE2
7.5	7.5	
15	15	
22.5	15	7.5
30	15	15



- ⚠ TB2, S48 OR CB10 MAY BE USED
  - ⚠ S20 IS NOT USED ON -1-B UNITS
  - ⚠ REMOVE JUMPER PLUG WHEN FIELD INSTALLING ELECTRIC HEAT
  - ⚠ TB3 IS USED ON SOME UNITS
  - ⚠ S19 IS USED ON HEAT PUMP APPLICATIONS ONLY.
- ← DENOTES OPTIONAL COMPONENTS

	ENERGENCE B-BOX WIRING DIAGRAM	06/11
	HEATING	
ELECTRIC HEAT FOR ENERGENCE™ E1EH, EHA - 7.5,15,22.5, 30 - G,J		
SECTION A		REV 0
Supersedes	New Form No.	537183-03