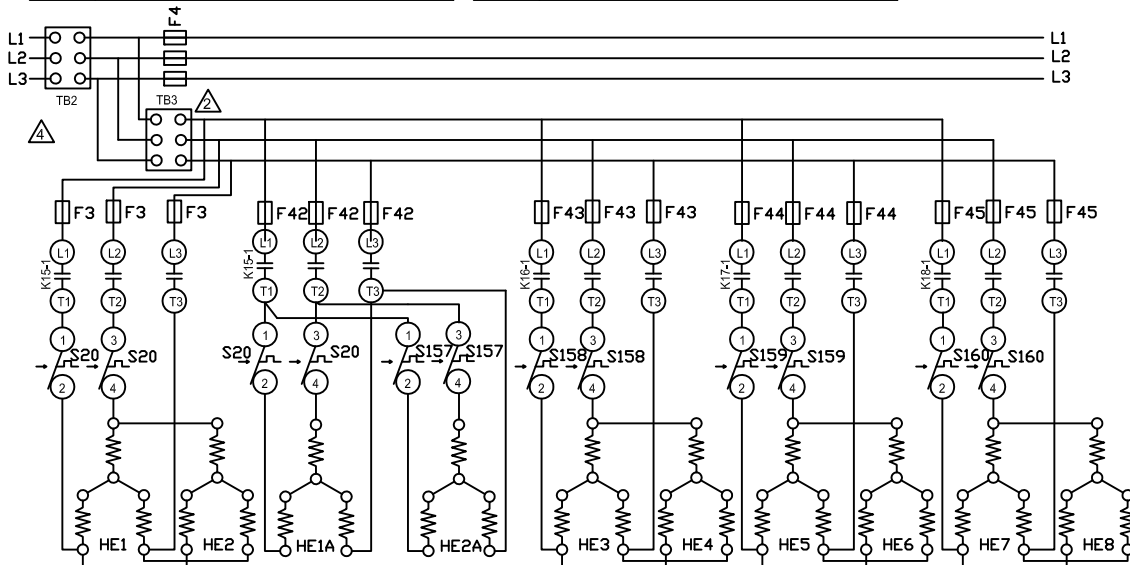


J271	JACK, HEATING SENSORS STG 1
J272	JACK, HEATING SENSORS STG 2
K9-1	RELAY, HEAT
K15-1	CONTACTOR, ELECTRIC HEAT 1,2
K16-1	CONTACTOR, ELECTRIC HEAT 1A,2A
K17-1	CONTACTOR, ELECTRIC HEAT 3,4
K18-1	CONTACTOR, ELECTRIC HEAT 5,6
P7	PLUG, ELECTRIC HEAT SUB-BASE KIT
P37	PLUG, ELECTRIC HEAT LIMIT
P265	PLUG, CONTACTOR RELAY
P266	PLUG, HEATING CONTROL
P271	PLUG, HEATING SENSORS STG 1

P272	PLUG, HEATING SENSORS STG 2
S15	SWITCH, LIMIT PRIMARY ELECTRIC HEAT
S19	THERMOSTAT, ELECTRIC HEAT LIMIT
S20	SWITCH, LIMIT SECONDARY ELECTRIC HEAT 1,2
S107	SWITCH, PRIMARY ELECTRIC HEAT
S157	SWITCH, LIMIT SECONDARY ELECTRIC HEAT 1A
S158	SWITCH, LIMIT SECONDARY ELECTRIC HEAT 2A
S159	SWITCH, LIMIT SECONDARY ELECTRIC HEAT 3,4
S160	SWITCH, LIMIT SECONDARY ELECTRIC HEAT 5,6
TB2	TERMINAL STRIP, UNIT
TB3	TERMINAL STRIP, ELECTRIC HEAT

DESIGNATION	VOLTAGE
G	460/60/3
J	575/60/3

B UNITS 090 TO 150  
 C UNITS 156 TO 240  
 D UNITS 300 & 360



- 1 NOT USED ON 15 AND 30KW UNITS
  - 2 TB3 IS USED IN SOME UNITS
  - 3 S15 IS USED ON B UNITS 90 TO 150
  - 4 TB2, S48 OR CB10 MAY BE USED
  - 5 REMOVE JUMPER PLUG WHEN FIELD INSTALLING ELECTRIC HEAT
  - 6 T18 USED ON HEAT PUMP UNITS
  - 7 S19 IS USED ON HEAT PUMP 090 THROUGH 150 UNITS ONLY.
- ← DENOTES OPTIONAL COMPONENTS

B	CW	HE1	HE2	H1A	H2A	HE3	HE4	HE5	HE6	HE7	HE8
	45	15				15	15				
	60	15	15			15	15				
	15			7.5	7.5						
	30			15	15						
	45	15				7.5		15		7.5	
	60	15				15		15		15	
	90	15				15	15	15		15	15
	120	15	15			15	15	15	15	15	15

06/11
ENERGENCE WIRING DIAGRAM
06/11

537187-03

**HEATING**

**ELECTRIC HEAT FOR ENERGENCE™**

**E1EH, EHA - 15,30,45,60,90,120 - G,J**

Supersedes
SECTION A
REV 0

New Form No.
537187-03