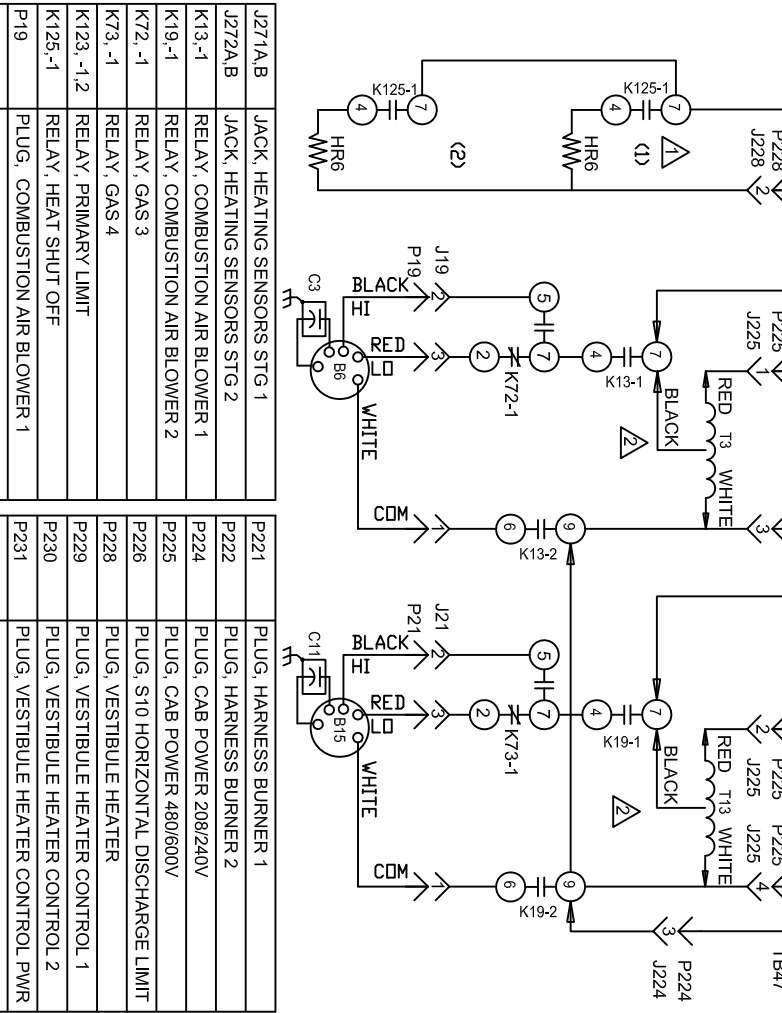


KEY	DESCRIPTION
A3	CONTROL, BURNER 1
A12	CONTROL, BURNER 2
A65	PANEL, MAIN
B6	MOTOR COMBUSTION AIR BLOWER 1
B15	MOTOR COMBUSTION AIR BLOWER 2
C3	CAPACTOR, COMB AIR BLOWER 1
C11	CAPACTOR, COMB AIR BLOWER 2
E1	SPARK
FS1	SENSOR, FLAME
GV1	VALVE, GAS 1
GV3	VALVE, GAS 2
HR6	HEATER, -50C LOW AMBIENT KIT
J19	JACK, COMBUSTION AIR BLOWER 1
J21	JACK, COMBUSTION AIR BLOWER 2
J221	JACK, HARNESS BURNER 1
J222	JACK, HARNESS BURNER 2
J224	JACK, CAB POWER 208/240V
J225	JACK, CAB POWER 480/600V
J226	JACK, S10 HORIZONTAL DISCHARGE LIMIT
J228	JACK, VESTIBULE HEATER
J229	JACK, VESTIBULE HEATER CONTROL 1
J230	JACK, VESTIBULE HEATER CONTROL 2
J231	JACK, VESTIBULE HEATER CONTROL PWR
J265	JACK, CONTACTOR RELAY
J266A	JACK, HEATING CONTROL STG 1
J266B	JACK, HEATING CONTROL STG 2



P266	PLUG, HEATING CONTROL
P271A/B	PLUG, HEATING SENSORS STG 1
P272A/B	PLUG, HEATING SENSORS STG 2
S10	SWITCH, LIMIT PRIMARY GAS
S18	SWITCH, COMB AIR BLOWER 1 PROOF
S21	SWITCH, LIMIT SECONDARY GAS HEAT
S45	SWITCH, COMB AIR BLOWER 2 PROOF
S47	SWITCH, FLAME ROLLOUT BURNER
S59	TSTAT, OPEN -20F, CLOSE 10F
S60	TSTAT, OPEN 20F, CLOSE -10F
S61	TSTAT, OPEN 50F, CLOSE 20F
S69	SWITCH, FLAME ROLLOUT 2
S99	SWITCH, LIMIT PRIMARY BURNER 2
T3	TRANSFORMER, COMB AIR BLOWER 1
T13	TRANSFORMER, COMB AIR BLOWER 2
TB47	TERMINAL STRIP, EXHAUST FANS

P221	PLUG, HARNESS BURNER 1
P222	PLUG, HARNESS BURNER 2
P224	PLUG, CAB POWER 208/240V
P225	PLUG, CAB POWER 480/600V
P226	PLUG, S10 HORIZONTAL DISCHARGE LIMIT
P228	PLUG, VESTIBULE HEATER
P229	PLUG, VESTIBULE HEATER CONTROL 1
P230	PLUG, VESTIBULE HEATER CONTROL 2
P231	PLUG, VESTIBULE HEATER CONTROL PWR
P265	PLUG, CONTACTOR RELAY

↑ DENOTES OPTIONAL COMPONENTS

09/15	WIRING DIAGRAM	09/15
537218-02		
HEATING		
GAS HEAT		
ENERGENGE 500 AND 800 UNITS		
SECTION A		
Supersedes		New Form No.
		537218-02