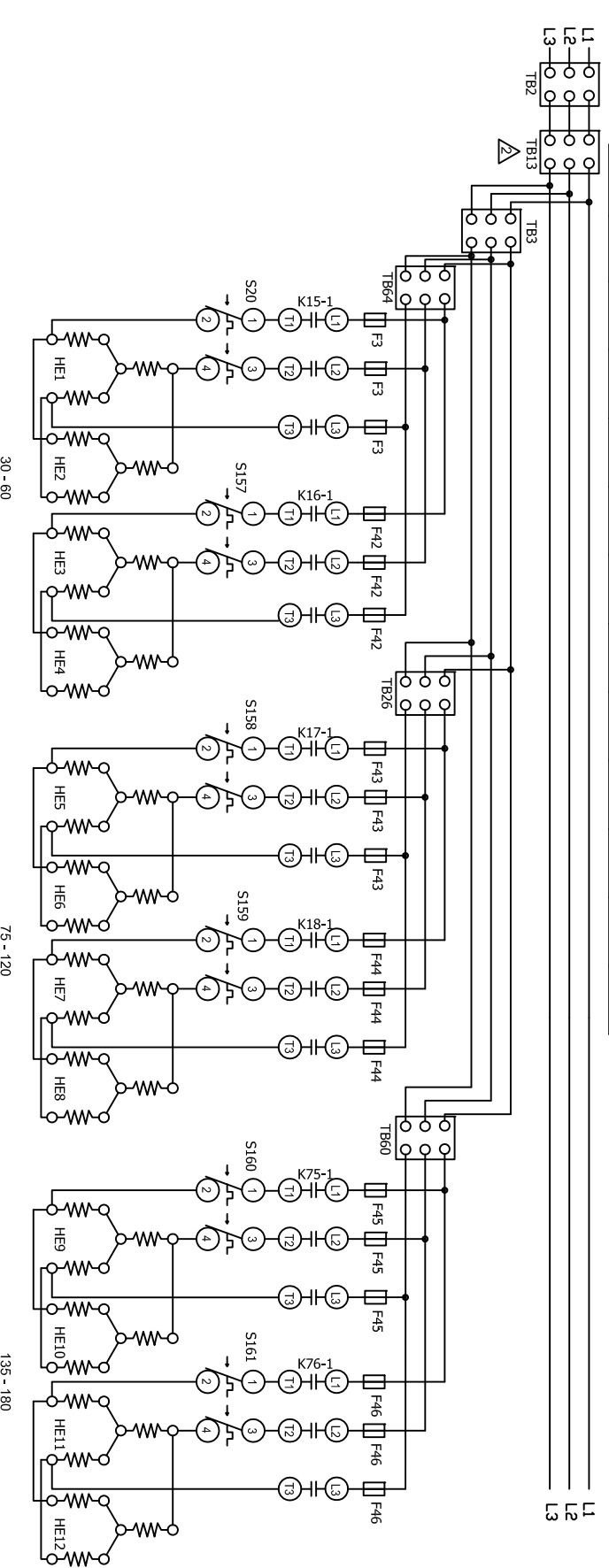


KW	HE1	HE2	HE3	HE4	HE5	HE6	HE7	HE8	HE9	HE10	HE11	HE12
30	15	15	15									
45	15	15	15									
60	15	15	15	15								
75	15	15	15	15	15							
90	15	15	15	15	15	15						
105	15	15	15	15	15	15	15					
120	15	15	15	15	15	15	15	15				
135	15	15	15	15	15	15	15	15	15			
150	15	15	15	15	15	15	15	15	15	15		
165	15	15	15	15	15	15	15	15	15	15	15	
180	15	15	15	15	15	15	15	15	15	15	15	15

KEY	DESCRIPTION
A55	PANEL, MAIN BOARD LENNOX
F3	FUSE, ELECTRIC HEAT 1, 2
F42	FUSE, ELECTRIC HEAT 3,4
F43	FUSE, ELECTRIC HEAT 5, 6
F44	FUSE, ELECTRIC HEAT 7, 8
F45	FUSE, ELECTRIC HEAT 9, 10
F46	FUSE, ELECTRIC HEAT 11, 12
HE1	ELEMENT, ELECTRIC HEAT 1
HE2	ELEMENT, ELECTRIC HEAT 2
HE3	ELEMENT, ELECTRIC HEAT 3
HE4	ELEMENT, ELECTRIC HEAT 4
HE5	ELEMENT, ELECTRIC HEAT 5
HE6	ELEMENT, ELECTRIC HEAT 6
HE7	ELEMENT, ELECTRIC HEAT 7
HE8	ELEMENT, ELECTRIC HEAT 8
HE9	ELEMENT, ELECTRIC HEAT 9
HE10	ELEMENT, ELECTRIC HEAT 10
HE11	ELEMENT, ELECTRIC HEAT 11
HE12	ELEMENT, ELECTRIC HEAT 12
J2	JACK, ELECTRIC HEAT
J266A	JACK, HEATING CONTROL STG 1
J266B	JACK, HEATING CONTROL STG 2
J271A/B	JACK, HEATING SENSORS STG 1
J272A/B	JACK, HEATING SENSORS STG 2
K9, -1	RELAY, HEAT
K15, -1	CONTACTOR, ELECTRIC HEAT 1
K16, -1	CONTACTOR, ELECTRIC HEAT 2
K17, -1	CONTACTOR, ELECTRIC HEAT 3
K18, -1	CONTACTOR, ELECTRIC HEAT 4
K75, -1	CONTACTOR, ELECTRIC HEAT 5
K76, -1	CONTACTOR, ELECTRIC HEAT 6
P2	PLUG, ELECTRIC HEAT
P266	PLUG, HEATING CONTROL

P271	PLUG, HEATING SENSORS STG 1
P272	PLUG, HEATING SENSORS STG 2
S15	SWITCH, LIMIT PRIMARY ELECTRIC HEAT
S20	SWITCH, LIMIT SECONDARY ELECTRIC HEAT 1
S157	SWITCH, LIMIT SECONDARY ELECTRIC HEAT 2
S158	SWITCH, LIMIT SECONDARY ELECTRIC HEAT 3
S159	SWITCH, LIMIT SECONDARY ELECTRIC HEAT 4
S160	SWITCH, LIMIT SECONDARY ELECTRIC HEAT 5
S161	SWITCH, LIMIT SECONDARY ELECTRIC HEAT 6
TB2	TERMINAL STRIP, UNIT
TB3	TERMINAL STRIP, ELECTRIC HEAT CIRCUIT
TB13	TERMINAL STRIP, POWER DISTRIBUTION
TB26	TERMINAL STRIP, ELECTRIC HEAT CIRCUIT 2
TB60	TERMINAL STRIP, ELECTRIC HEAT CIRCUIT 3
TB64	TERMINAL STRIP, ELECTRIC HEAT CIRCUIT 1

DESIGNATION	VOLTAGE
Y	208-230/60/3
G	460/60/3
J	575/60/3
M	380-420/50/3



NOT USED ON 30 - 60KW UNITS
 TB13 IS USED IN SOME UNITS

↑ DENOTES OPTIONAL COMPONENTS

09/15	HEATING	09/15
WIRING DIAGRAM		
537220-01		
EIEH - 30, 45, 60, 90, 105, 120, 135, 150, 165, 180 - I - G, J, M		
SECTION A		REV 3
New Form No. 537220-01		
Supersedes		