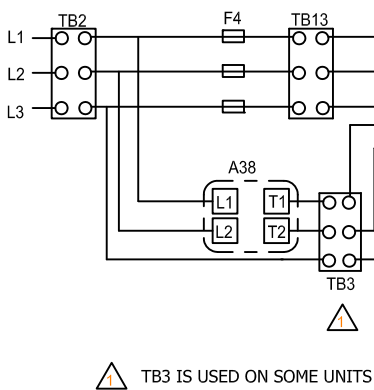
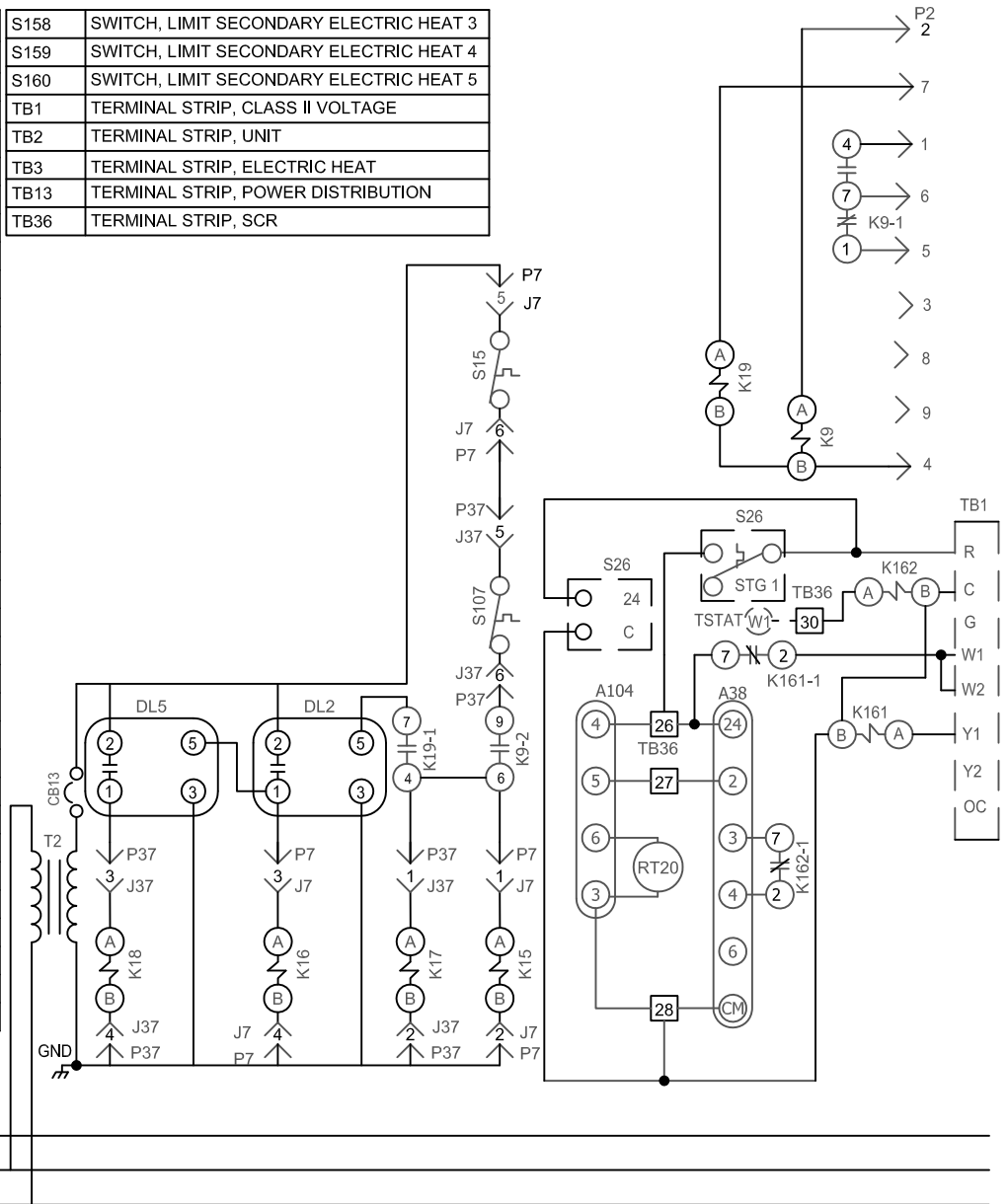


DESCRIPTION	
KEY	DESCRIPTION
A38	CONTROL, SCR ELECTRIC HEAT
A104	THERMOSTAT, SUPPLY AIR
CB13	CIRCUIT BREAKER, TRNAS T2
DL2	DELAY, ELECTRIC HEAT
DL5	DELAY, ELECTRIC HEAT
F3	FUSE, ELECTRIC HEAT
F4	FUSE, UNIT
F42	FUSE, ELECTRIC HEAT 2
F43	FUSE, ELECTRIC HEAT 3
F44	FUSE, ELECTRIC HEAT 4
F45	FUSE, ELECTRIC HEAT 5
HE1	ELEMENT, ELECTRIC HEAT 1
HE1A	ELEMENT, ELECTRIC HEAT 1A
HE2	ELEMENT, ELECTRIC HEAT 2
HE2A	ELEMENT, ELECTRIC HEAT 2A
J7	JACK, ELECTRIC HEAT SUB-BASE KIT
J37	JACK, ELECTRIC HEAT
K9, -1, 2	RELAY, HEAT
K15,-1	CONTACTOR, ELECTRIC HEAT 1
K16,-1	CONTACTOR, ELECTRIC HEAT 2
K17, -1	CONTACTOR, ELECTRIC HEAT 3
K18, -1	CONTACTOR, ELECTRIC HEAT 4
K19, -1	RELAY, STAGE 2 HEAT
K161,-1	RELAY, SCR INTERRUPT
K162,-1	RELAY, SCR HIGH OUTPUT
K211-1	RELAY, LOCKOUT
P2	PLUG, ELECTRIC HEAT
P7	PLUG, ELECTRIC HEAT SUB-BASE KIT
P37	PLUG, HEAT ELECTRIC
RT20	SENSOR, DISCHARGE SCR
S15	SWITCH, LIMIT PRIMARY ELECTRIC HEAT
S20	SWITCH, LIMIT SECONDARY ELECTRIC HEAT 1
S26	THERMOSTAT, AMBIENT
S157	SWITCH, LIMIT SECONDARY ELECTRIC HEAT 2
S158	SWITCH, LIMIT SECONDARY ELECTRIC HEAT 3
S159	SWITCH, LIMIT SECONDARY ELECTRIC HEAT 4
S160	SWITCH, LIMIT SECONDARY ELECTRIC HEAT 5
TB1	TERMINAL STRIP, CLASS II VOLTAGE
TB2	TERMINAL STRIP, UNIT
TB3	TERMINAL STRIP, ELECTRIC HEAT
TB13	TERMINAL STRIP, POWER DISTRIBUTION
TB36	TERMINAL STRIP, SCR



C UNITS 156 TO 300

KW	HE1	HE1A	HE2A	HE3	HE4	HE5	HE6	HE7	SCR AMPS	
									480 V	600V
15		7.5	7.5						30	15
30		15	15						40	30
45	15			7.5		15	7.5		75	50
60	15			15		15	15		75	75
90	15			15	15	15	15	15	-	90

10/15		WIRING DIAGRAM	10/15
		537254-01	
HEATING - SCR			
ELECTRIC HEAT SCR CONTROL - STAND ALONE			
EHA - 15,30,45,60,90 - G,J			
SECTION A			REV. 2.0
Supersedes		New Form No. 537254-01	