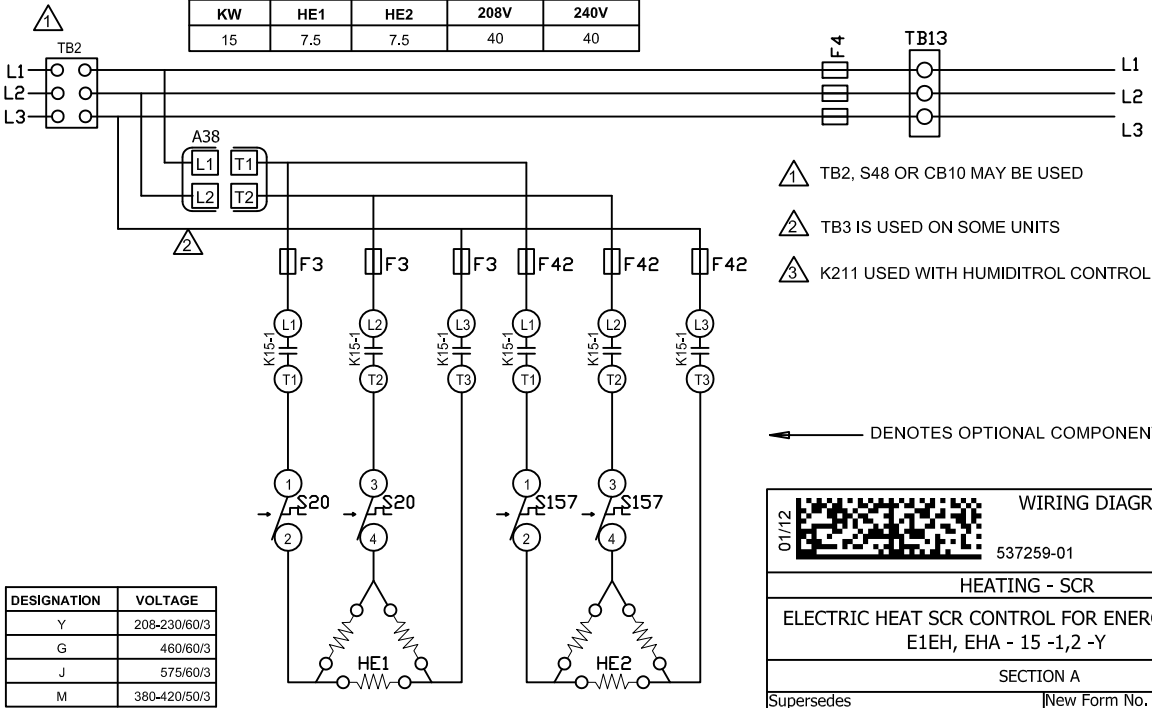


K15,-1	CONTACTOR, ELECTRIC HEAT 1
K161,-1	RELAY, SCR INTERRUPT
K162,-1	RELAY, SCR HIGH OUTPUT
K211,-1	RELAY, LOCKOUT
P7	PLUG, ELECTRIC HEAT SUB BASE KIT
P265	PLUG, CONTACTOR RELAY
P266	PLUG, HEATING CONTROL
P271	PLUG, HEATING SENSORS STG 1
P297	PLUG, THERMOSTAT INTERFACE
RT20	SENSOR, DISCHARGE SCR
S15	SWITCH, LIMIT PRIMARY ELECTRIC HEAT
S19	THERMOSTAT, ELECTRIC HEAT LIMIT
S20	SWITCH, LIMIT SECONDARY ELEC. HEAT 1
S26	THERMOSTAT, AMBIENT
S157	SWITCH, LIMIT SECONDARY ELEC. HEAT 2
TB2	TERMINAL STRIP, UNIT
TB13	TERMINAL STRIP, POWER DISTRIBUTION
TB36	TERMINAL STRIP, SCR

KEY	DESCRIPTION
A38	CONTROL, SCR ELECTRIC HEAT
A55	PANEL, MAIN
A104	THERMOSTAT, SUPPLY AIR
F3	FUSE, ELECTRIC HEAT 1
F4	FUSE, UNIT

HE1	ELEMENT, ELECTRIC HEAT 1
HE2	ELEMENT, ELECTRIC HEAT 2
J7	JACK, ELECTRIC HEAT SUB BASE KIT
J265C	JACK, CONTACTOR RELAY
J266A	JACK, HEATING CONTROL STG 1
J271A,B	JACK, HEATING SENSORS STG 1
J297	JACK, THERMOSTAT INTERFACE

C UNITS		SCR AMPS		
KW	HE1	HE2	208V	240V
15	7.5	7.5	40	40



- ⚠ TB2, S48 OR CB10 MAY BE USED
- ⚠ TB3 IS USED ON SOME UNITS
- ⚠ K211 USED WITH HUMIDITROL CONTROL

← DENOTES OPTIONAL COMPONENTS

DESIGNATION	VOLTAGE
Y	208-230/60/3
G	460/60/3
J	575/60/3
M	380-420/50/3

01/12	WIRING DIAGRAM	01/12
537259-01		
HEATING - SCR		
ELECTRIC HEAT SCR CONTROL FOR ENERGENCE™ E1EH, EHA - 15 -1,2 -Y		
SECTION A		REV 2
Supersedes	New Form No. 537259-01	