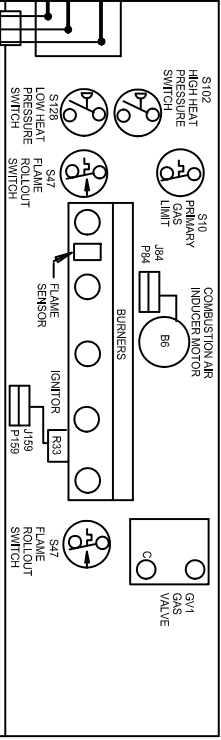
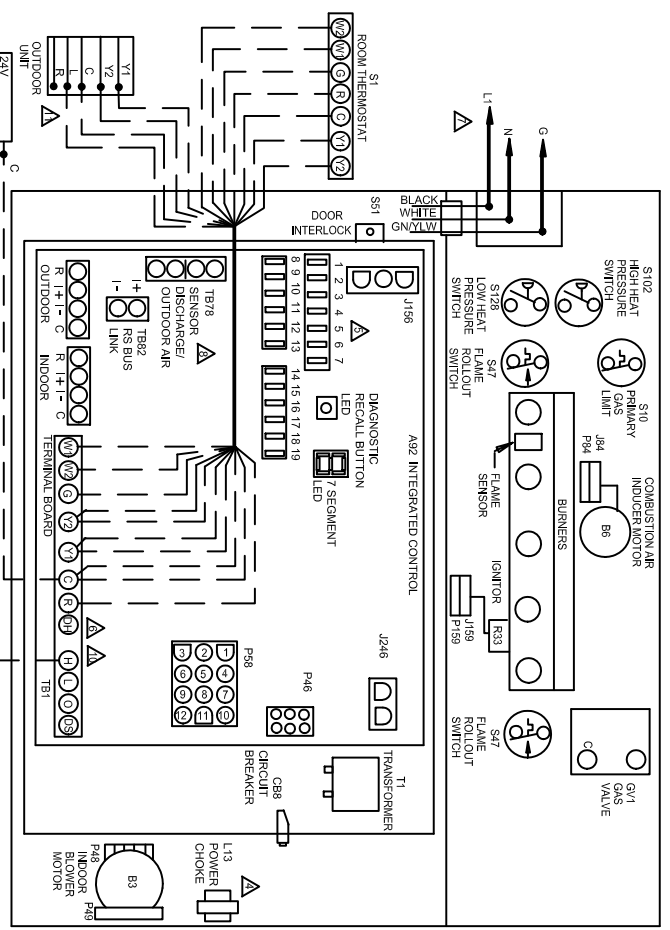
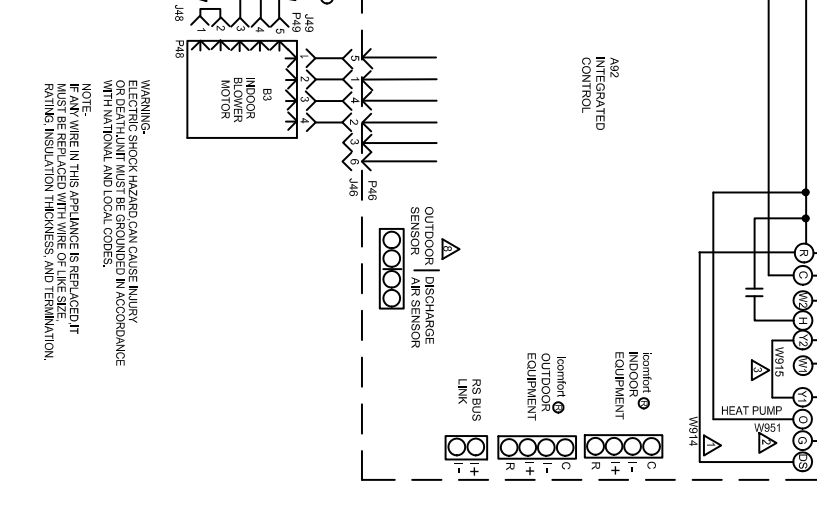
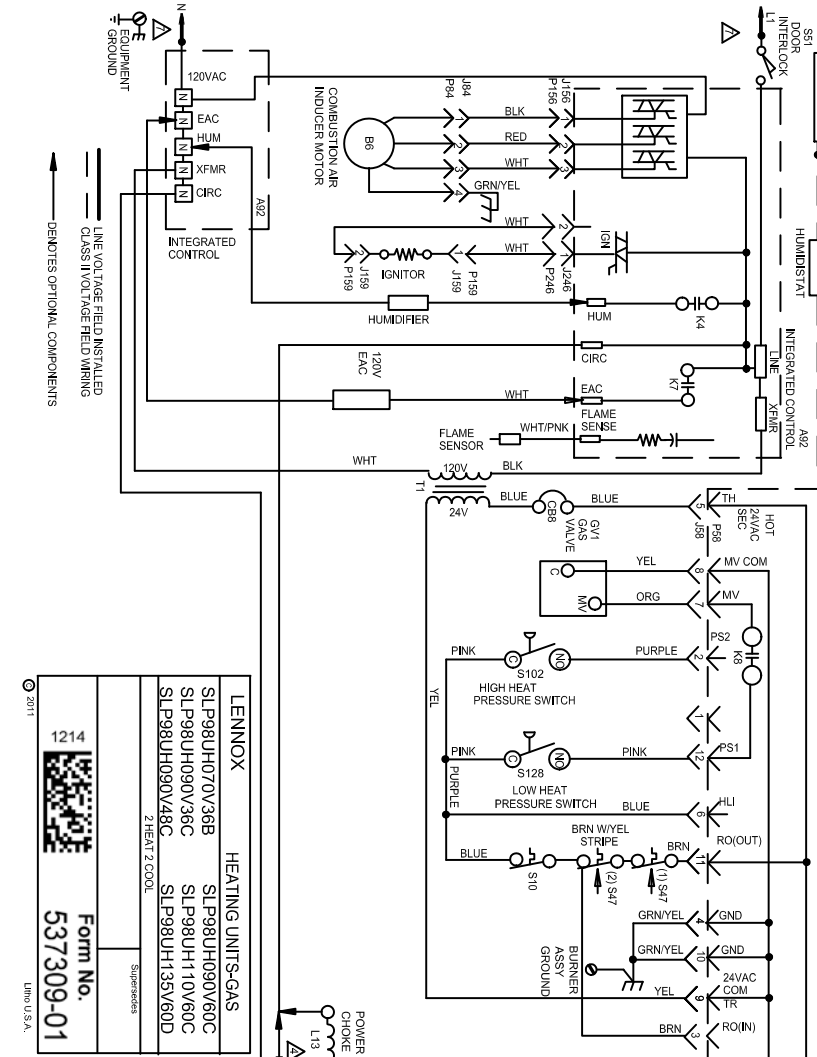
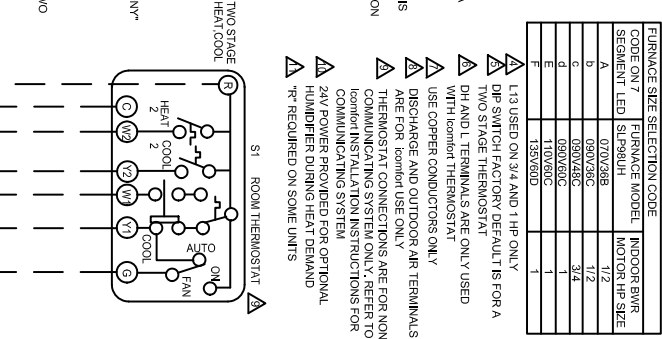


8-1/4" X 8-3/4"



FURNACE SIZE SELECTION CODE

CODE ON T	FURNACE MODEL	INDOOR BWR
SEGMENT 1	SLP98UH	MOTOR HP SIZE
A	070V/28B	1/2
B	090V/28C	1/2
C	090V/28D	1/2
D	090V/60C	3/4
E	090V/60D	3/4
F	135V/60D	1



WARNING:
ELECTRIC SHOCK HAZARD CAN CAUSE INJURY OR DEATH. UNIT MUST BE GROUNDED IN ACCORDANCE WITH NATIONAL AND LOCAL CODES.

NOTE:
IF ANY WIRE IN THIS APPLIANCE IS REPLACED IT MUST BE REPLACED WITH WIRE OF THE SAME SIZE, RATING, INSULATION THICKNESS, AND TERMINATION.

Form No. 537309-01

LENNOX HEATING UNITS-GAS
 SLP98UH070V/28B
 SLP98UH090V/36C
 SLP98UH110V/60C
 SLP98UH135V/60D