

BLOWER SPEED CHART

UNIT	FACTORY SHIPPED SETTINGS	HEAT	COOL	ADJUST
09V36C	2	4	NDNR	
09V48C	2	4	NDNR	
09V48C	2	4	NDNR	
09V60C	2	4	NDNR	
10V60C	2	4	NDNR	

FURNACE SIZE SELECTION CHART

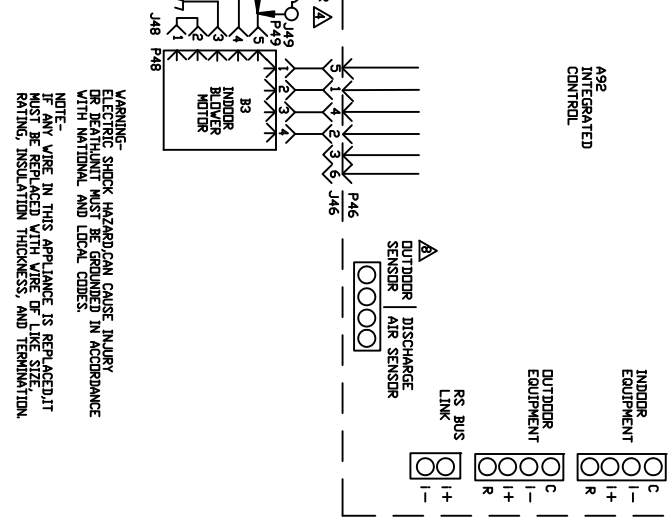
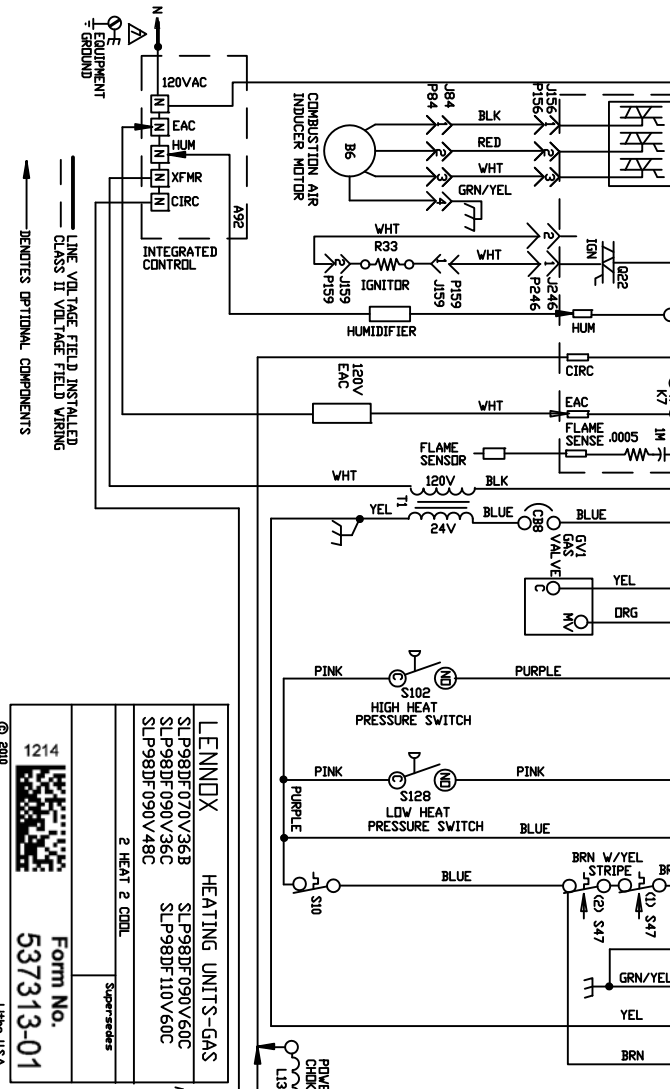
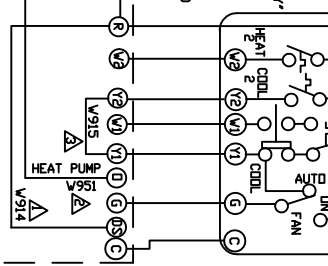
CODE	DN	FURNACE	INDOOR	INDOOR
			BWR	MOTOR
			HP	SIZE
7	SEGMNT	SLP98DP	1 1/2	1 1/2
H		07V36C	1 1/2	1 1/2
J		09V48C	3/4	3/4
N		09V48C	3/4	3/4
o		09V60C	1	1
o		10V60C	1	1

NOTE: SEE INSTALLATION INSTRUCTIONS FOR PROCEDURES TO SET CORRECT BLOWER SPEED FOR SPECIFIC COOLING TONNAGE BEING APPLIED, AND HEATING TEMPERATURE RISE DESIRED. TYPICAL SYSTEM SHOWN FOR 2 HEAT/2 COOL WITH A CONVENTIONAL THERMOSTAT. SEE INSTALLATION INSTRUCTIONS FOR CONNECTIONS TO OTHER EQUIPMENT AND ACCESSORIES. A TWO STAGE THERMOSTAT MUST BE USED WITH THIS FURNACE IN VARIABLE CAPACITY MODE. MAKE INTERMEDIARY ON RECOMMENDED TYPES OF THERMOSTATS AND SETTINGS FOR OPTIMAL PERFORMANCE.

JACKPLUG CHART

J246	JACK/PLUG-CONTROL, VARIABLE SPEED
J248	JACK/PLUG-MOTOR, VARIABLE SPEED
J249	JACK/PLUG-MOTOR, VARIABLE SPEED
J258	JACK/PLUG-BURNER CONTROL
J264	JACK/PLUG-COMB. AIR INDUCER
J265	JACK/PLUG-INDUCER/IGNITOR
J266	JACK/PLUG-BOARD IGNITION

TERMOSTAT HEAT ANTICIPATION SETTING
 1.5 AMP. INDOOR/OUTDOOR VALVE
 CUT V914 JUMPER LABELED "THERM OR HARMONY" FROM DS TO R. AT A92 CONTROL BOARD, WHEN USED WITH ComfortSense® 7000 THERMOSTAT.
 CUT V951 JUMPER FROM D TO R LABELED "HEAT PUMP" AT A92 CONTROL BOARD, WHEN USED FOR DUAL FUEL APPLICATIONS.
 WHEN V915 FROM Y1 TO Y2 IS FACTORY INSTALLED AT A92 CONTROL BOARD, LEAVE IN FOR DNE STAGE COOL THERMOSTAT. CUT JUMPER Y1 TO Y2 FOR TWO STAGE COOL THERMOSTAT.



WARNING-
 ELECTRICAL SHOCK HAZARD/CAN CAUSE INJURY OR DEATH/UNIT MUST BE GROUNDED IN ACCORDANCE WITH NATIONAL AND LOCAL CODES.
 NOTE-
 IF ANY WIRE IN THIS APPLIANCE IS REPLACED/IT MUST BE REPLACED WITH WIRE OF LIKE SIZE, RATING, INSULATION THICKNESS, AND TERMINATION.

1214

Form No. 537313-01

Lennox Heating Units-GAS

SLP98DF070V36B
 SLP98DF090V60C
 SLP98DF090V36C
 SLP98DF110V60C
 SLP98DF090V48C

2 HEAT 2 COOL

Supersedes

© 2010 Lennox USA