

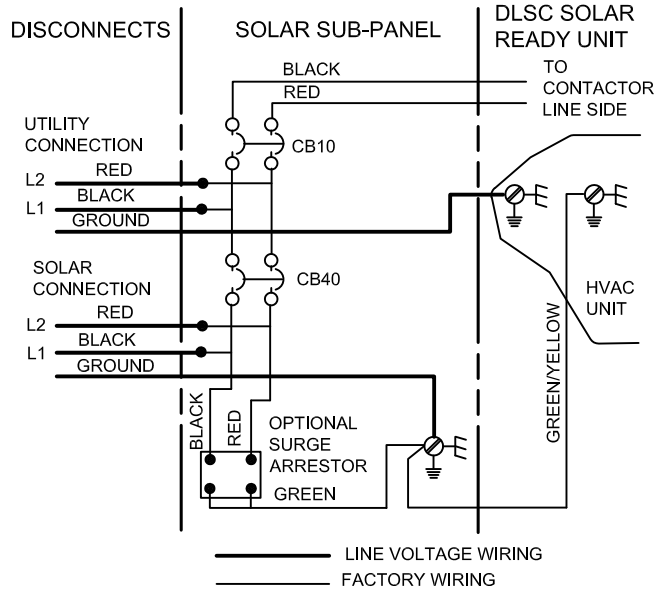
SOLAR SUB-PANEL ACCESSORY

0213

Form No. 537323-01

© 2010

Litho U.S.A.



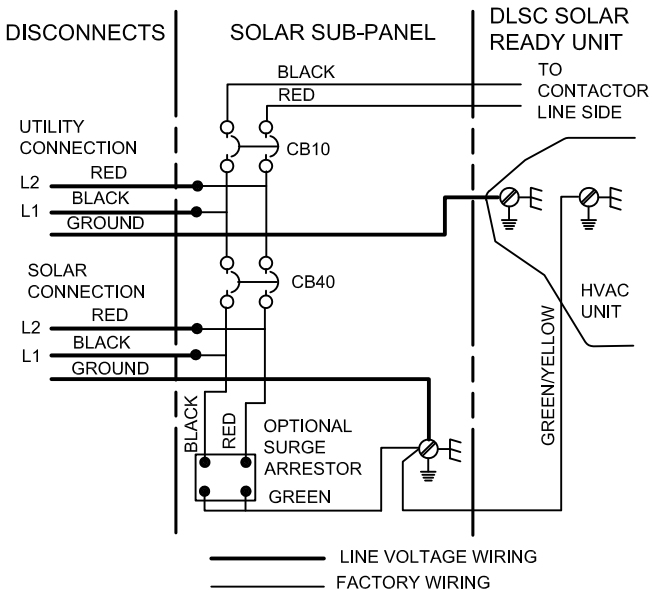
SOLAR SUB-PANEL ACCESSORY

0213

Form No. 537323-01

© 2010

Litho U.S.A.



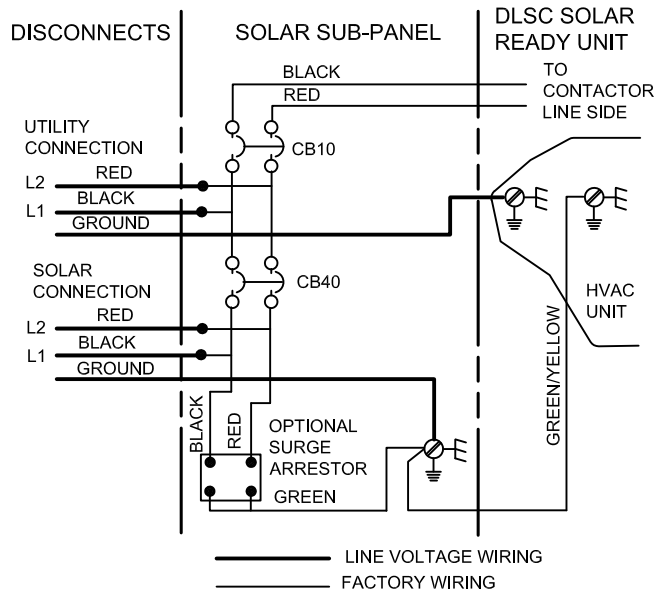
SOLAR SUB-PANEL ACCESSORY

0213

Form No. 537323-01

© 2010

Litho U.S.A.



SOLAR SUB-PANEL ACCESSORY

0213

Form No. 537323-01

© 2010

Litho U.S.A.