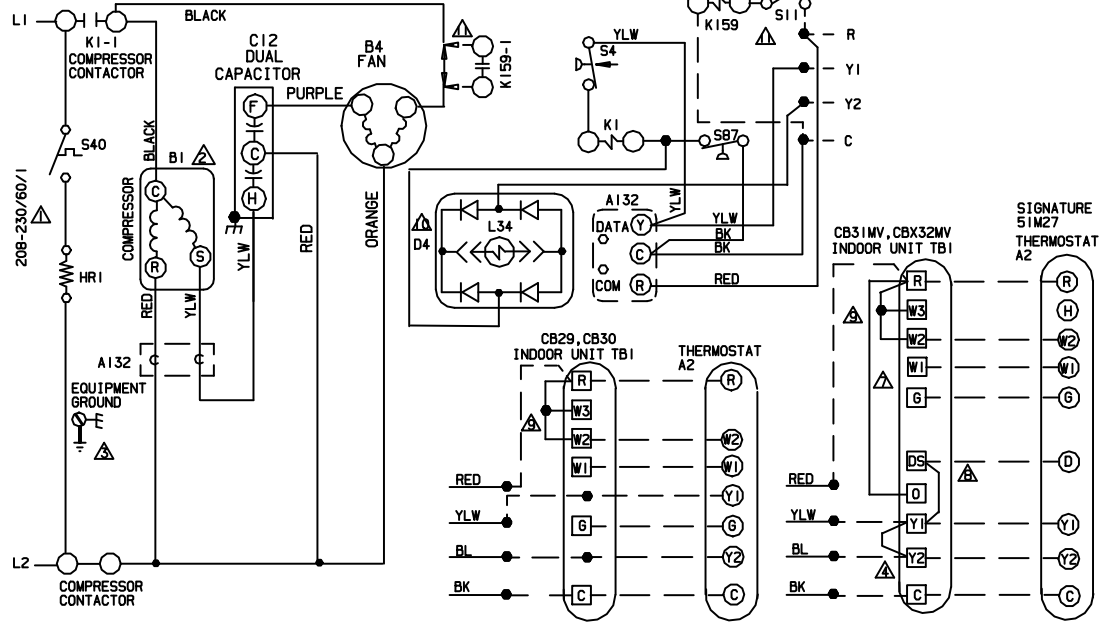


NOTE - FOR USE WITH COPPER CONDUCTORS ONLY. REFER TO UNIT RATING PLATE FOR MINIMUM CIRCUIT AMPACITY AND MAXIMUM OVER-CURRENT PROTECTION SIZE. REFER TO COMPRESSOR IN UNIT FOR ACTUAL TERMINAL ARRANGEMENT.

WARNING - ELECTRIC SHOCK HAZARD, CAN CAUSE INJURY OR DEATH. UNIT MUST BE GROUNDED IN ACCORDANCE WITH NATIONAL AND LOCAL CODES. REMOVE JUMPER FOR TWO STAGE COOL.

- ⚠ ON A92 CUT ONBOARD W914 JUMPER FROM DS TO R, WHEN HUMIDITY CONTROL IS USED
 - ⚠ ON A92 DO NOT CUT ONBOARD W951 JUMPER FROM R TO O. IT IS USED FOR APPLICATIONS FOR CONDENSING UNITS
 - ⚠ FOR CONDENSING UNIT APPLICATIONS USE R TO O JUMPER. REMOVE IN HEAT PUMP APPLICATIONS.
 - ⚠ REMOVE DS TO Y1 JUMPER WHEN HUMIDITY CONTROL IS USED
 - ⚠ WHEN TWO STAGE THERMOSTAT IS USED, CONNECT SECOND STAGE HEAT BULB TO TERMINAL "W2" AND REMOVE JUMPER BETWEEN "R" AND "W2"
 - ⚠ L34 SOLENOID IS LOCATED IN COMPRESSOR. COIL IS 24 VDC. DO NOT CONNECT 24VAC TO COIL TERMINALS.
 - ⚠ S11 IS OPTIONAL LOW AMBIENT SWITCH
- NOTE: MINIMUM TRANSFORMER REQUIRED IN INDOOR UNIT-40 VA



— INDICATES OPTIONAL COMPONENTS
 — LINE VOLTAGE FIELD INSTALLED
 - - - CLASS 'I' VOLTAGE FIELD INSTALLED

LENNOX COOLING UNITS- CONDENSING UNITS	
HSXA19-038	
	Supersedes Form No.
	New Form No.
	537340-01