

**BLOWER SPEED CHART**

UNIT (INPUT-CFM)	FACTORY CONNECTED SPEED TAPS	MOTOR SPEEDS AVAIL.
045-08	COOL: YELLOW, HEAT: BLACK, RED	4
045-12	YELLOW, BLACK, RED	4
070-08	RED, YELLOW, RED	4
070-12	YELLOW, BLACK, RED	4
090-12	YELLOW, BLACK, RED	4
090-16	YELLOW, BLACK, RED	4
110-16	YELLOW, RED, BLACK, RED	4
110-20	YELLOW, BLACK, RED	4
135-20	YELLOW, BLACK, RED	4

BLOWER SPEED SELECTION: HI ← (BLACK) BROWN (YELLOW) RED → LO

**THERMOSTAT HEAT ANTICIPATION SETTINGS**

65 AMP	HONEYWELL VALVE
50 AMP	WHITE-RODGERS VALVE

**JACKPLUG CHART**

J-P58	JACKPLUG-BURNER CONTROL
J-P156 <th>JACKPLUG-INDUCER/IGNITER</th>	JACKPLUG-INDUCER/IGNITER
J-P159 <th>JACKPLUG-IGNITER</th>	JACKPLUG-IGNITER

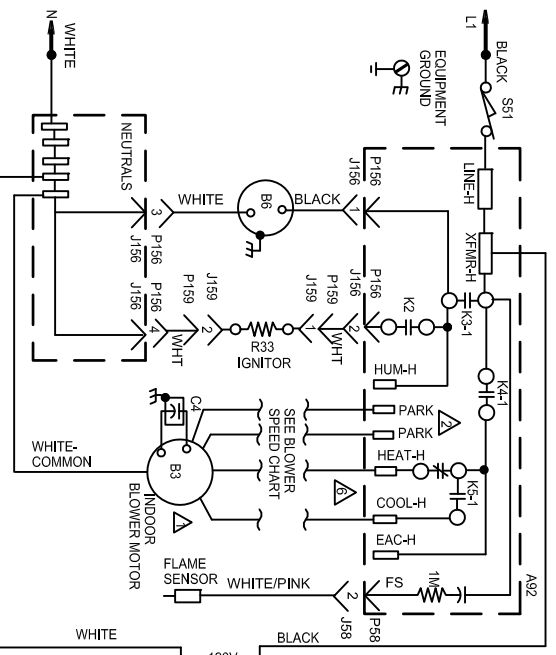
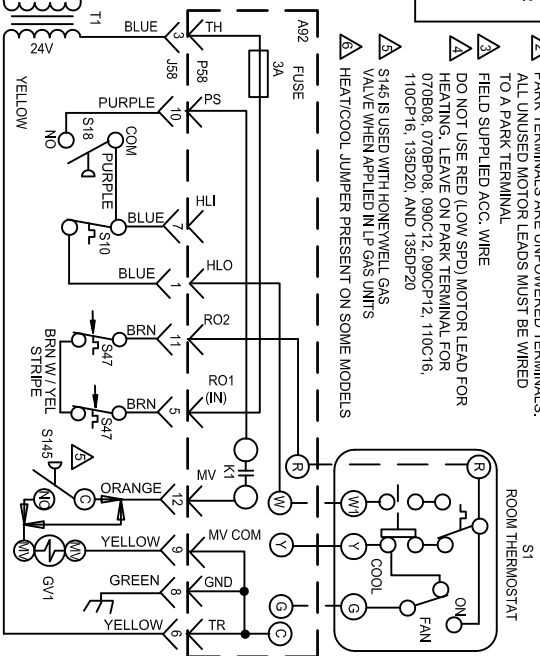
**WARNING-** ELECTRIC SHOCK HAZARD. CAN CAUSE INJURY OR DEATH. UNIT MUST BE GROUNDED IN ACCORDANCE WITH NATIONAL AND LOCAL CODES

**NOTE-** IF ANY WIRE IN THIS APPLIANCE IS REPLACED, IT MUST BE REPLACED WITH WIRE OF LIKE SIZE RATING. INSULATION THICKNESS AND TERMINATION IMPORTANT.

TO PREVENT MOTOR BURNOUT NEVER CONNECT MORE THAN ONE LEAD TO ANY ONE CONNECTION TO A PARK TERMINAL.

ALL UNUSED MOTOR LEADS MUST BE WIRED TO A PARK TERMINAL.

- FIELD SUPPLIED ACC. WIRE
- DO NOT USE RED (LOW SPD) MOTOR LEAD FOR HEATING. LEAVE ON PARK TERMINAL FOR 070B08, 070B08, 090C12, 090CP12, 110C16, 110CP16, 135D20, AND 135DP20
- S145 IS USED WITH HONEYWELL GAS VALVE WHEN APPLIED IN LP GAS UNITS
- HEAT/COOL JUMPER PRESENT ON SOME MODELS



↑ DENOTES OPTIONAL COMPONENTS  
 — LINE VOLTAGE FIELD INSTALLED  
 — CLASS II VOLTAGE FIELD WIRING

**HEATING UNITS-GAS**

Supersedes

Form No. 537344-01

1214

2011

Lineo U.S.A.