

BLOWER SPEED CHART						
UNIT (INPUT-CFM)	FACTORY CONNECTED SPEED TAPS	MOTOR SPEEDS AVAILABLE				
045-12	COOL	HEAT	PARK			
070-12	BROWN	RED	BLACK, YELLOW	4		
090-16	BLACK	BROWN/YELLOW	YELLOW, RED	4		
110-20	BROWN	YELLOW	BLACK, RED	4		
BLOWER SPEED SELECTION						
HI		BLACK		LO		
SPEED TAPS		BLACK	BROWN	YELLOW	RED	4

TERMOSTAT HEAT ANTICIPATION SETTINGS

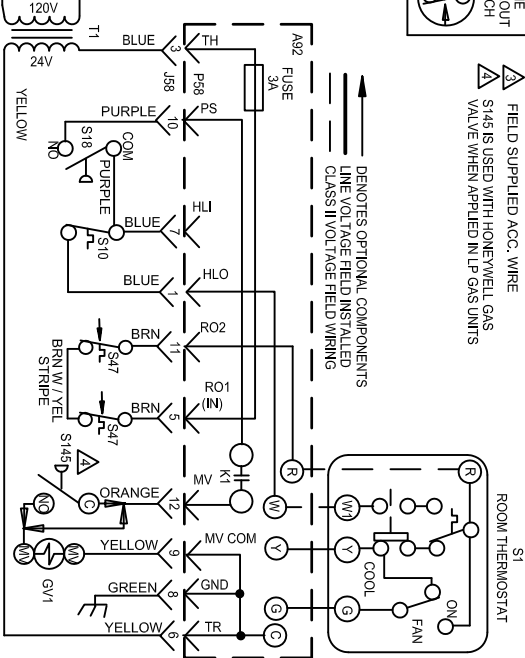
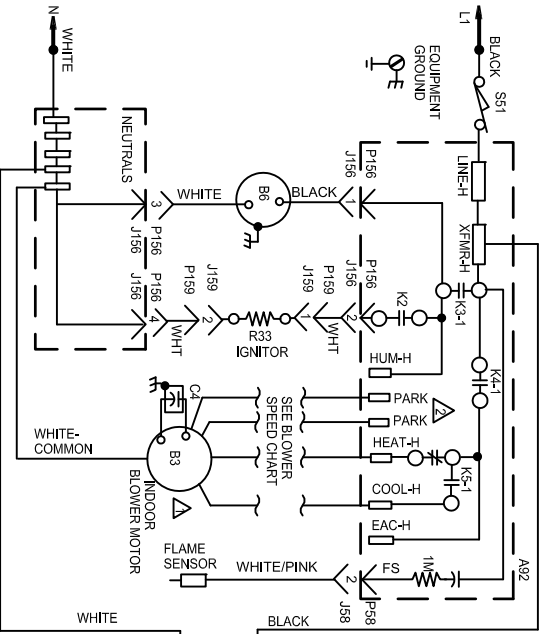
.85 AMP	HONEYWELL VALVE
.50 AMP	WHITE-RODGERS VALVE

JACKPLUG CHART	
J1P58	JACKPLUG-BURNER CONTROL
J1P156	JACKPLUG-INDUCER/IGNITER
J1P159	JACKPLUG-IGNITER

WARNING- ELECTRIC SHOCK HAZARD, CAN CAUSE INJURY OR DEATH. UNIT MUST BE GROUNDED IN ACCORDANCE WITH NATIONAL AND LOCAL CODES

NOTE- IF ANY WIRE IN THIS APPLIANCE IS REPLACED, IT MUST BE REPLACED WITH WIRE OF LIKE SIZE, RATING, INSULATION THICKNESS AND TERMINATION

- ⚠ **IMPORTANT-** TO PREVENT MOTOR BURNOUT, NEVER CONNECT MORE THAN ONE LEAD TO ANY ONE CONNECTION
- ⚠ PARK TERMINALS ARE UNPOWERED TERMINALS. ALL UNUSED MOTOR LEADS MUST BE WIRED TO A PARK TERMINAL
- ⚠ FIELD SUPPLIED ACC. WIRE
- ⚠ S145 IS USED WITH HONEYWELL GAS VALVE WHEN APPLIED IN LP GAS UNITS



— DENOTES OPTIONAL COMPONENTS
 — LINE VOLTAGE FIELD INSTALLED
 — CLASS II VOLTAGE FIELD WIRING

HEATING UNITS-GAS

Supersedes

Form No. 537345-01

1214