

**BLOWER SPEED CHART**

UNIT (INPUT-CFM)	COOL	HEAT	PARK
045-12	BROWN	RED	BLACK, YELLOW
070-08	BLACK	YELLOW	RED
070-12	BROWN	YELLOW	BLACK, RED
090-12	BROWN	YELLOW	BLACK, RED
090-16	BLACK	YELLOW	BROWN, RED
110-12	BROWN	BLACK	YELLOW, RED
110-16	BROWN	YELLOW	BLACK, RED
110-20	BROWN	YELLOW	BLACK, RED
135-20	BROWN	YELLOW	BLACK, RED

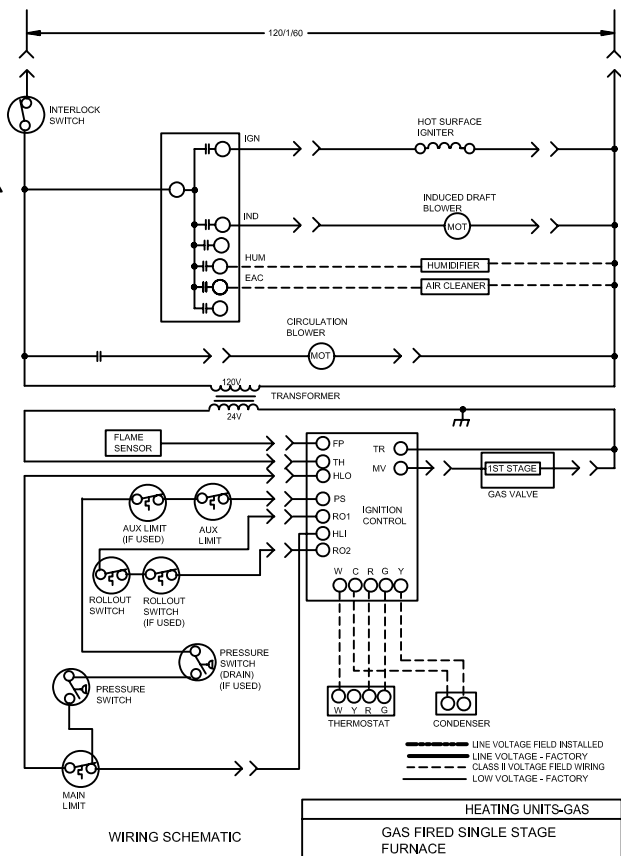
**BLOWER SPEED SELECTION**

HI ← [SWITCH] → LO

**SPEED TAPS** BLACK BROWN YELLOW RED

CONNECTION DIAGRAM

⚠️ PROPER POLARITY MUST BE OBSERVED FOR FIELD LINE VOLTAGE SUPPLY. IGNITION CONTROL WILL LOCK OUT IF POLARITY IS REVERSED



WIRING SCHEMATIC

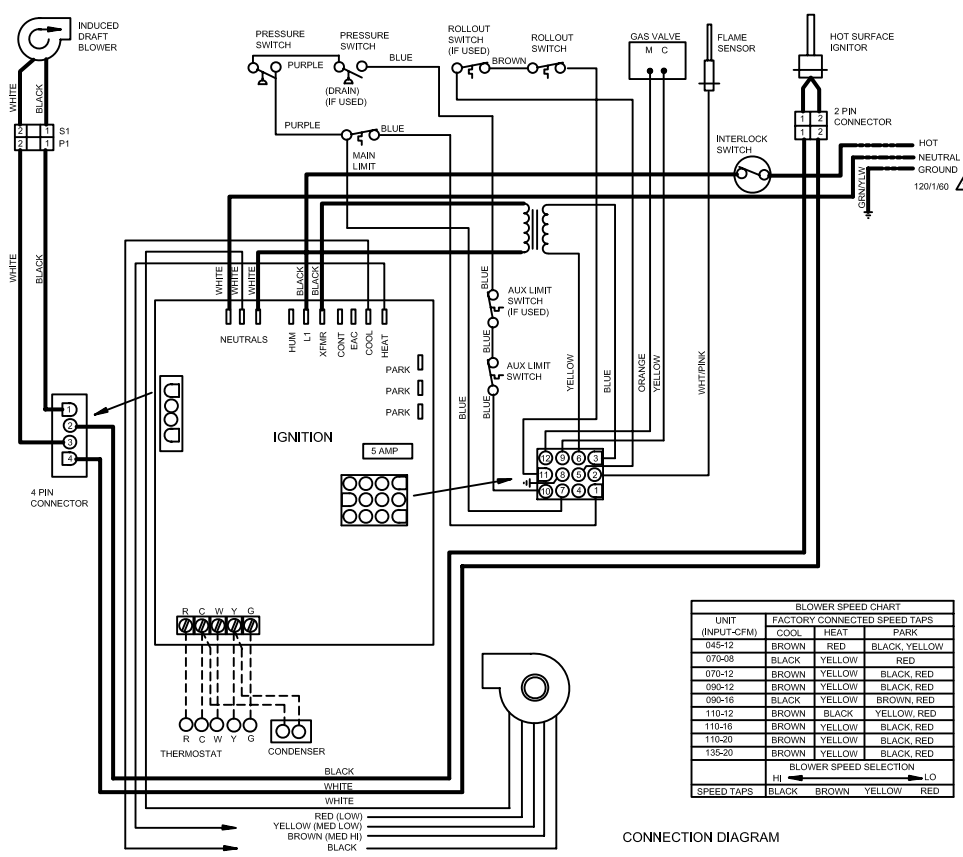
**HEATING UNITS-GAS**

**GAS FIRED SINGLE STAGE FURNACE**

0411 Supersedes

New Form No. **537372-01**

© 2011 Ulbro U.S.A.



**BLOWER SPEED CHART**

UNIT (INPUT-CFM)	COOL	HEAT	PARK
045-12	BROWN	RED	BLACK, YELLOW
070-08	BLACK	YELLOW	RED
070-12	BROWN	YELLOW	BLACK, RED
090-12	BROWN	YELLOW	BLACK, RED
090-16	BLACK	YELLOW	BROWN, RED
110-12	BROWN	BLACK	YELLOW, RED
110-16	BROWN	YELLOW	BLACK, RED
110-20	BROWN	YELLOW	BLACK, RED
135-20	BROWN	YELLOW	BLACK, RED

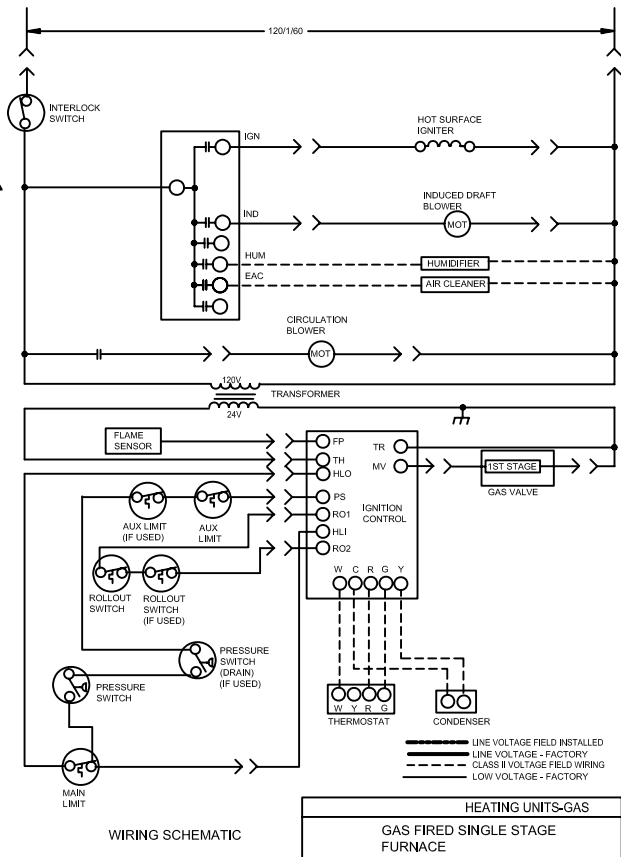
**BLOWER SPEED SELECTION**

HI ← [SWITCH] → LO

**SPEED TAPS** BLACK BROWN YELLOW RED

CONNECTION DIAGRAM

⚠️ PROPER POLARITY MUST BE OBSERVED FOR FIELD LINE VOLTAGE SUPPLY. IGNITION CONTROL WILL LOCK OUT IF POLARITY IS REVERSED



WIRING SCHEMATIC

**HEATING UNITS-GAS**

**GAS FIRED SINGLE STAGE FURNACE**

0411 Supersedes

New Form No. **537372-01**

© 2011 Ulbro U.S.A.

⚠️ WARNING- ELECTRIC SHOCK HAZARD. CAN CAUSE INJURY OR DEATH. UNIT MUST BE GROUNDED IN ACCORDANCE WITH NATIONAL AND LOCAL CODES.

NOTE- IF ANY WIRE IN THIS APPLIANCE IS REPLACED, IT MUST BE REPLACED WITH WIRE OF LIKE SIZE, RATING, INSULATION THICKNESS, AND TERMINATION