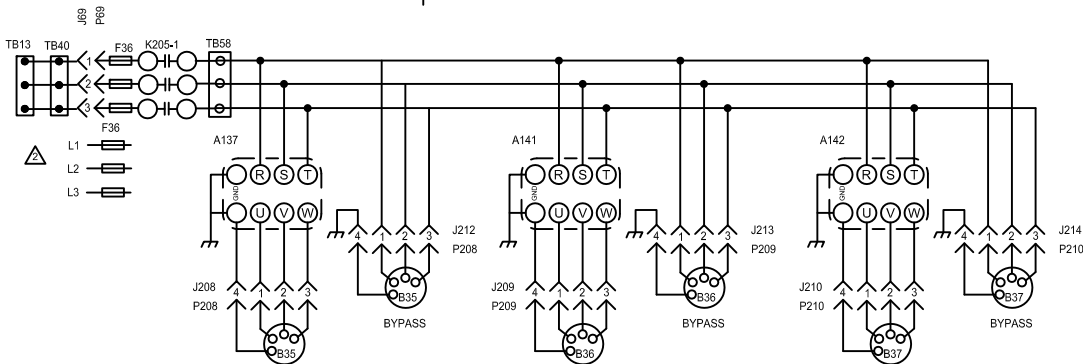


KEY	COMPONENT
A55	PANEL, MAIN
A137	CONTROL, INVERTER, RETURN
A141	INVERTER, EXHAUST 2
A142	INVERTER, EXHAUST 3
B35	MOTOR, EXH, BLO 1
B36	MOTOR, EXH, BLO 2
B37	MOTOR, EXH, BLO 3
F36	FUSE, INVERTER
J69	JACK, INTERFACE
J208	JACK, MOTOR, EXH BLO B35
J209	JACK, MOTOR, EXH BLO B36
J210	JACK, MOTOR, EXH BLO B37
J211	JACK, INVERTER EXH BLO, AUX
J212	JACK, MOTOR, EXH BLO B35
J213	JACK, MOTOR, EXH BLO B36



J214	JACK, MOTOR, EXH BLO B37
J218	JACK, CONTROL, INVERTER
J265	JACK, CONTACTORS AND RELAYS
K205,-1	CONTACTOR, BYPASS, EXH.
K206,-1,2	RELAY, EXH BLO, ADDER
K207,-1,2,3	RELAY, EXH BLO, ADDER
P69	PLUG, INTERFACE
P208	PLUG, MOTOR, EXH BLO, B35
P209	PLUG, MOTOR, EXH BLO, B36
P210	PLUG, MOTOR, EXH BLO, B37
P211	PLUG, INVERTER, EXH BLO, AUX
P218	PLUG, CONTROL, INVERTER
P265	PLUG, CONTACTORS AND RELAYS
TB13	TERMINAL STRIP, POWER DISTRIBUTION
TB24	TERMINAL STRIP, UNIT ADDER
TB40	TERMINAL STRIP, COMPRESSOR B1
TB58	TERMINAL STRIP, INVERTER BYPASS

△ TO BYPASS INVERTERS, REMOVE J211

△ SEPARATE DISCONNECT WIRING WHEN NOT FACTORY INSTALLED

— DENOTES OPTIONAL COMPONENTS
 — LINE VOLTAGE FIELD INSTALLED NEC/CEC CLASS 1
 — NOTE-ALL REMAINING WIRES FACTORY INSTALLED

01/12		WIRING DIAGRAM	01/12
		537377-01	
HEAT/COOL RSI D-BOX			
EXHAUST AIR BLOWER VFD WITH BYPASS			
SECTION B5			REV 0
Supersedes	New Form No.		
534,754W	537377-01		