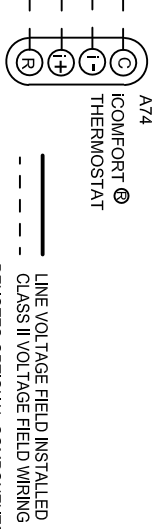
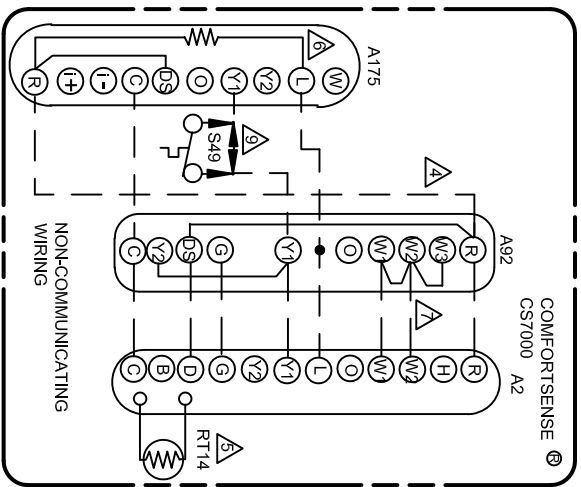
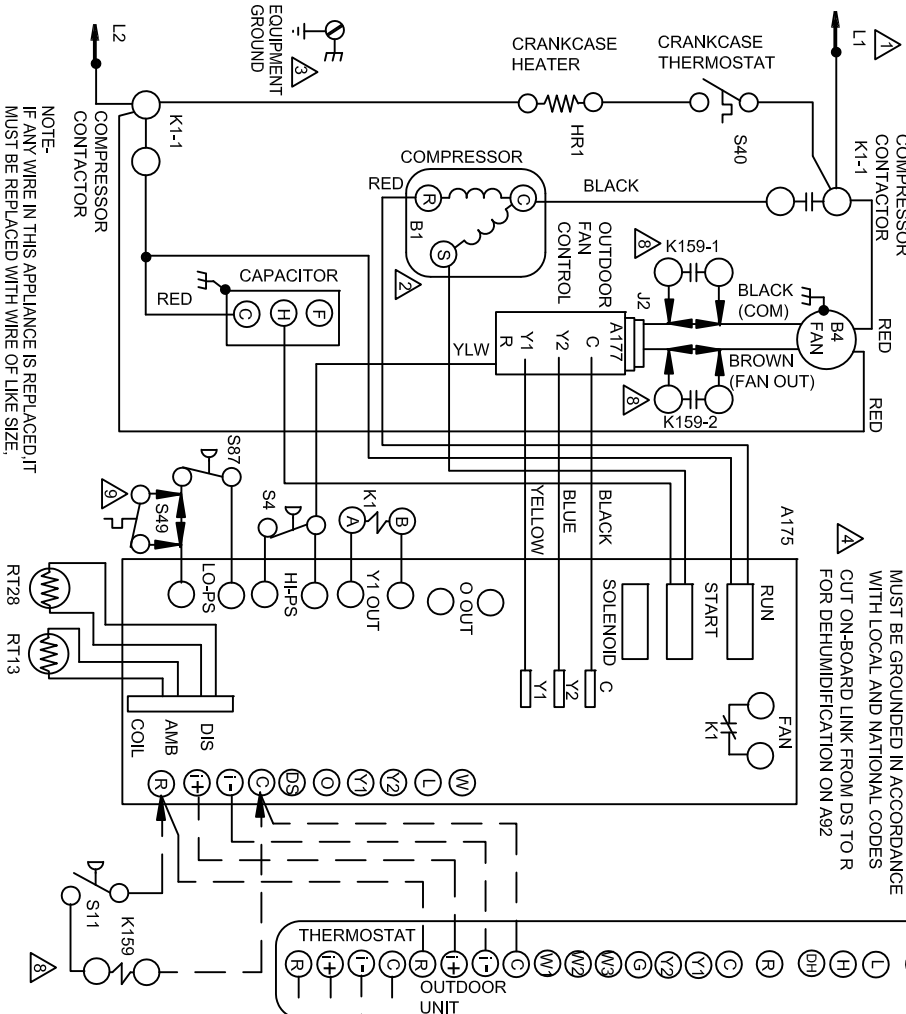


**CFM PROFILE SELECTION**

MODEL	JUMPER 4	JUMPER 3	JUMPER 2	JUMPER 1
024	OFF	ON	ON	ON
030	OFF	ON	ON	OFF
036	OFF	OFF	ON	ON
042	OFF	OFF	ON	ON
048	OFF	OFF	OFF	ON
060	OFF	OFF	OFF	ON

- NOTE: FOR USE WITH COPPER CONDUCTORS ONLY. REFER TO UNIT RATING PLATE FOR MINIMUM CIRCUIT AMPACITY AND MAXIMUM OVERCURRENT PROTECTION SIZE.
- REFER TO COMPRESSOR IN UNIT FOR ACTUAL TERMINAL ARRANGEMENT.
- WARNING-ELECTRIC SHOCK HAZARD CAN CAUSE INJURY OR DEATH. UNIT MUST BE GROUNDED IN ACCORDANCE WITH LOCAL AND NATIONAL CODES.
- CUT ON-BOARD LINK FROM DS TO R FOR DEHUMIDIFICATION ON A92.
- RT14 SENSOR, OUTDOOR TEMP (OPTIONAL).
- RESISTOR KIT (42W97) IS REQUIRED WHEN USING COMFORTSENSE 7000 (Y0349) WITH A175 OUTDOOR CONTROL. RESISTOR KIT NOT REQUIRED WHEN USING COMFORTSENSE 7000 (Y2081).
- METAL JUMPERS ACROSS W1, W2, AND W3 COME FROM FACTORY. REMOVE JUMPER W1 TO W2 FOR TWO STAGE ELECTRIC HEAT, AIR HANDLERS ONLY.
- OPTIONAL LOW AMBIENT CONTROLS
- TYPICAL FREEZE/STAT



— LINE VOLTAGE FIELD INSTALLED  
 - - - CLASS II VOLTAGE FIELD WIRING  
 ← DENOTES OPTIONAL COMPONENTS

NOTE: IF ANY WIRE IN THIS APPLIANCE IS REPLACED, IT MUST BE REPLACED WITH WIRE OF LIKE SIZE, RATING, INSULATION THICKNESS, AND TERMINATION.

**LENNOX** COOLING CONDENSING

**XC17**

0512

Form No. 537378-01

Supersedes 0512

© 2011 Litho U.S.A.