

NOTE-FOR USE WITH COPPER CONDUCTORS ONLY. REFER TO UNIT RATING PLATE FOR MINIMUM CIRCUIT AMPACITY AND MAXIMUM OVERCURRENT PROTECTION SIZE

REFER TO COMPRESSOR IN UNIT FOR ACTUAL TERMINAL ARRANGEMENT

WARNING-ELECTRIC SHOCK HAZARD CAN CAUSE INJURY OR DEATH. UNIT MUST BE GROUNDED IN ACCORDANCE WITH LOCAL AND NATIONAL CODES

CUT ON-BOARD LINK R TO O FOR HEAT PUMP APPLICATIONS

RESISTOR KIT (47W97) IS REQUIRED WHEN USING COMFORTSENSE 7000 (Y0349) WITH A175 OUTDOOR CONTROL. RESISTOR KIT NOT REQUIRED WHEN USING COMFORTSENSE 7000 (Y2081)

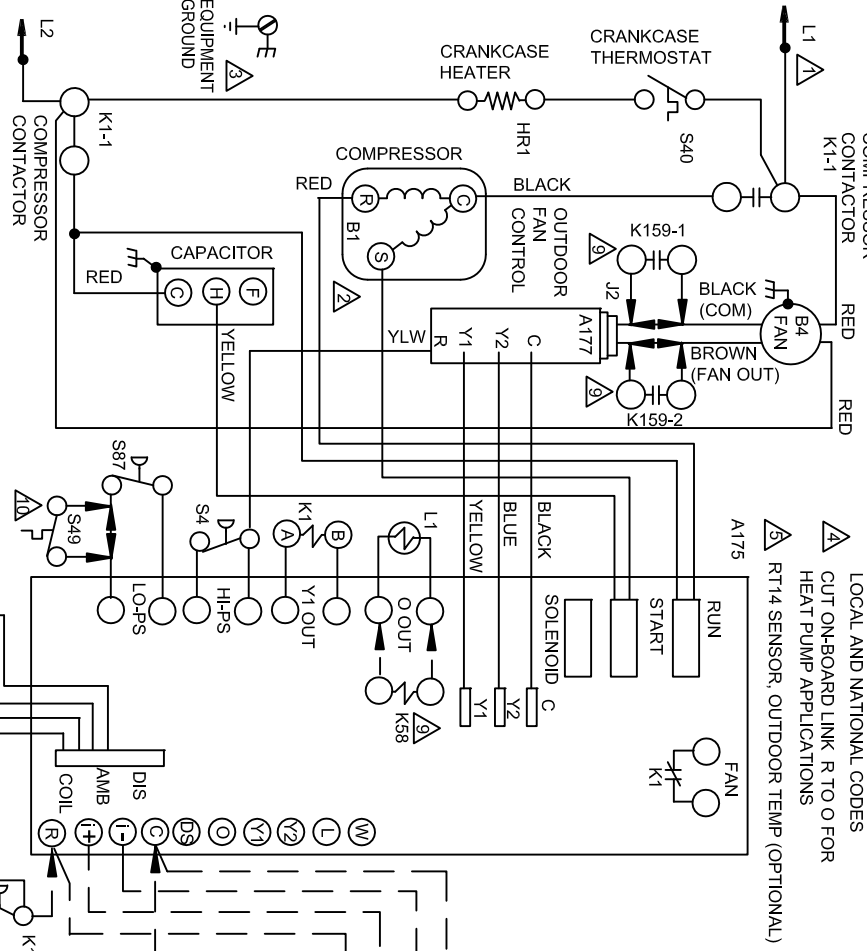
CUT ON-BOARD LINK FROM DS TO R FOR DEHUMIDIFICATION ON A92

METAL JUMPERS ACROSS W1, W2, AND W3 COME FROM FACTORY. REMOVE JUMPER FROM W1 TO W2 FOR TWO STAGE ELECTRIC HEAT. AIR HANDLERS ONLY

OPTIONAL LOW AMBIENT CONTROLS

TYPICAL FREEZE/STAT

CFM PROFILE SELECTION				
MODEL	JUMPER 4	JUMPER 3	JUMPER 2	JUMPER 1
024	OFF	ON	ON	ON
030	OFF	ON	ON	OFF
036	OFF	OFF	ON	ON
042	OFF	OFF	ON	ON
048	OFF	OFF	OFF	ON
060	OFF	OFF	OFF	ON



NOTE- IF ANY WIRE IN THIS APPLIANCE IS REPLACED, IT MUST BE REPLACED WITH WIRE OF LIKE SIZE, RATING, INSULATION THICKNESS, AND TERMINATION.

0512

Form No. 537379-01

Supersedes 0512

LENNOX HEAT PUMP OUTDOOR UNITS XP17