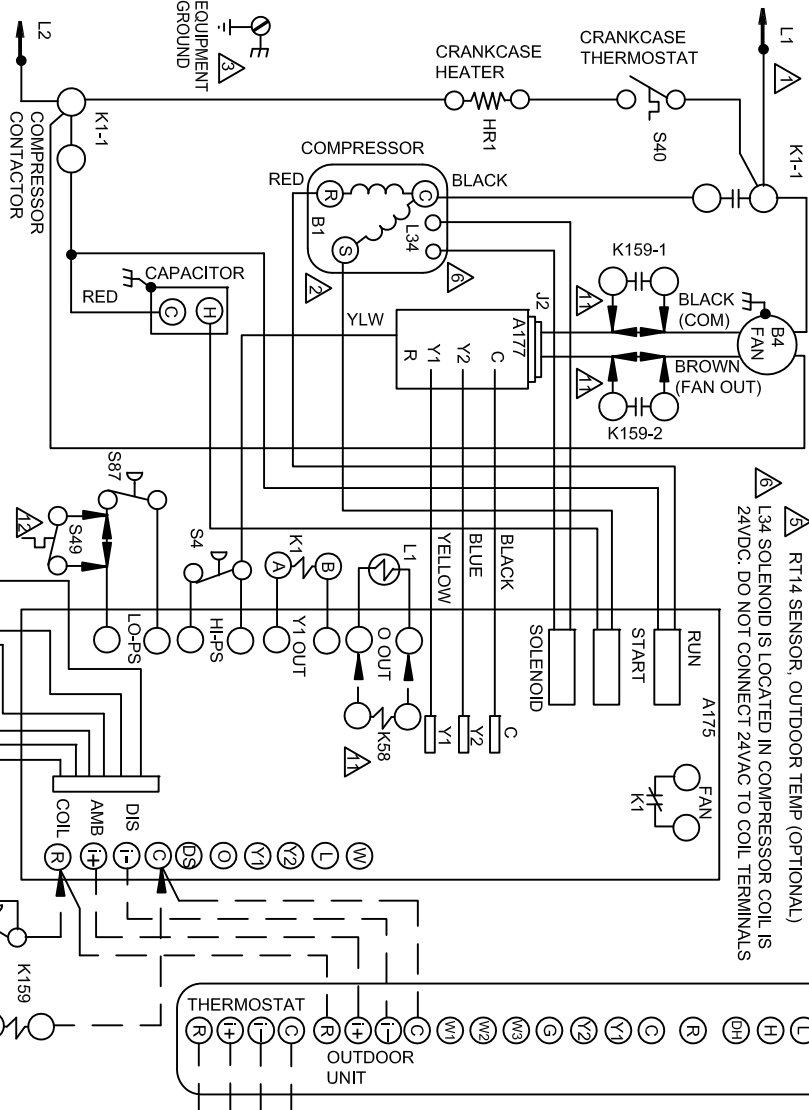


NOTE:
FOR USE WITH COPPER CONDUCTORS ONLY, REFER TO UNIT RATING PLATE FOR MINIMUM CIRCUIT AMPACITY AND MAXIMUM OVERCURRENT PROTECTION SIZE REFER TO COMPRESSOR IN UNIT FOR ACTUAL TERMINAL ARRANGEMENT

WARNING:
ELECTRIC SHOCK HAZARD CAN CAUSE INJURY OR DEATH. UNIT MUST BE GROUNDED IN ACCORDANCE WITH NATIONAL AND LOCAL CODES.

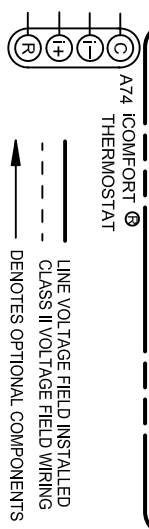
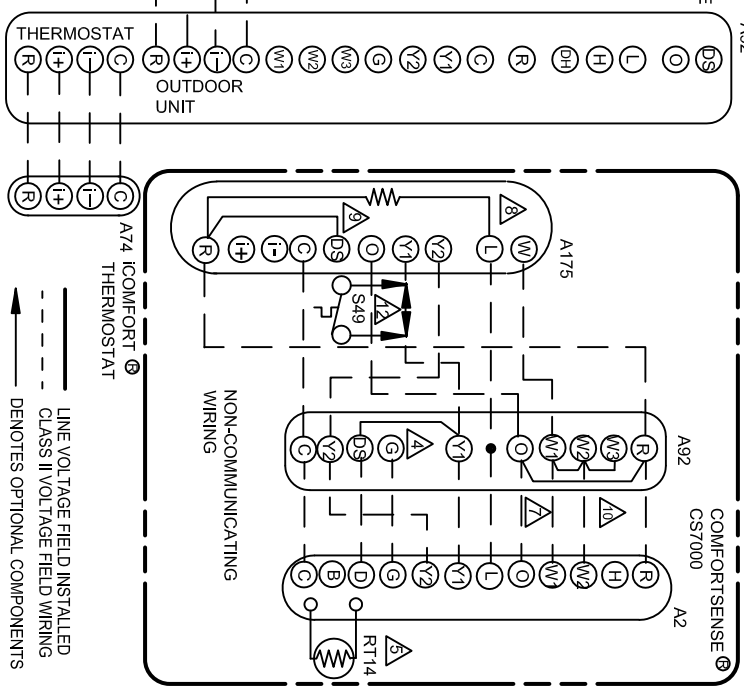
REMOVE JUMPER FOR TWO STAGE COOL
RT14 SENSOR, OUTDOOR TEMP (OPTIONAL)
L34 SOLENOID IS LOCATED IN COMPRESSOR COIL IS 24VDC. DO NOT CONNECT 24VAC TO COIL TERMINALS



NOTE:
IF ANY WIRE IN THIS APPLIANCE IS REPLACED, IT MUST BE REPLACED WITH WIRE OF LIKE SIZE, RATING, INSULATION THICKNESS, AND TERMINATION.

CFM PROFILE SELECTION				
MODELS	JUMPER 4	JUMPER 3	JUMPER 2	JUMPER 1
024	ON	ON	OFF	ON
030	ON	OFF	ON	ON
048	ON	OFF	OFF	ON
060	ON	OFF	OFF	OFF

CUT ON-BOARD LINK R TO O FOR HEAT PUMP APPLICATIONS
RESISTOR KIT (47W97) IS REQUIRED WHEN USING COMFORTSENSE 7000 (Y0349) WITH A175 OUTDOOR CONTROL. RESISTOR KIT NOT REQUIRED WHEN USING COMFORTSENSE 7000 (Y2081)
FOR HUMIDITROL OPERATION (EDA), CONNECT FIELD PROVIDED WIRE FROM DS ON A92 TO DS ON A175. CUT JUMPER FROM DS TO R ON A175.
METAL JUMPERS ACROSS W1, W2, AND W3 COME FROM FACTORY. REMOVE JUMPER FROM W1 TO W2 FOR TWO STAGE ELECTRIC HEAT, AIR HANDLERS ONLY
OPTIONAL LOW AMBIENT CONTROLS
TYPICAL FREEZESTAT



LINE VOLTAGE FIELD INSTALLED
CLASS II VOLTAGE FIELD WIRING
DENOTES OPTIONAL COMPONENTS

LENNOX
HEAT PUMP
OUTDOOR UNITS
XP21

0512
Supersedes

Form No. 537381-01

© 2011 Litho U.S.A.