

BLOWER SPEED CHART

UNIT	HEAT	COOL	AJUST
070812S-01	2	4	NORM
080C12S-01	2	4	NORM
080C16S-01	2	4	NORM
080C20S-01	2	4	NORM
110C20S-01	2	4	NORM
135D20S-01	2	4	NORM

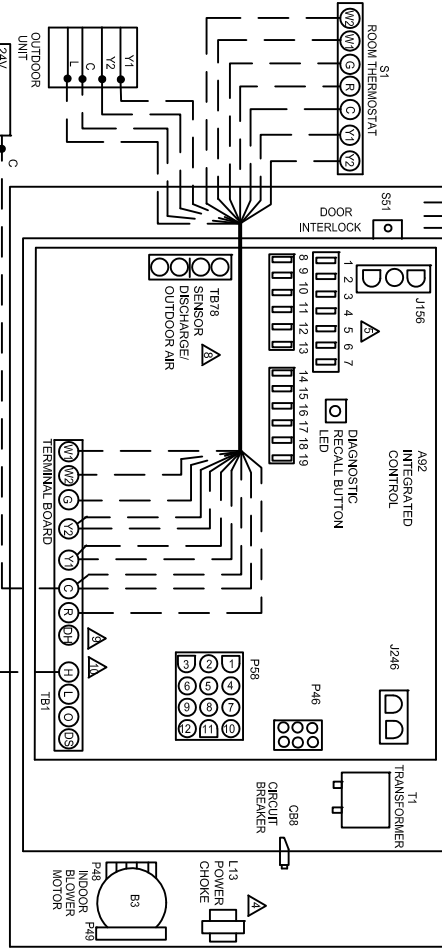
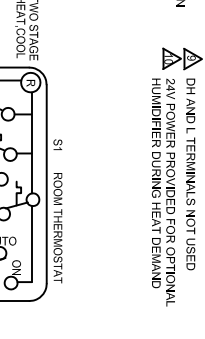
FURNACE SIZE SELECTION CODE

CODE ON 7 SEGMENT LED	FURNACE MODEL	INDOOR BURNER MOTOR HP SIZE
1	070812S-01	1/2
2	080C12S-01	1/2
3	080C16S-01	3/4
4	080C20S-01	3/4
5	110C20S-01	1
6	135D20S-01	1

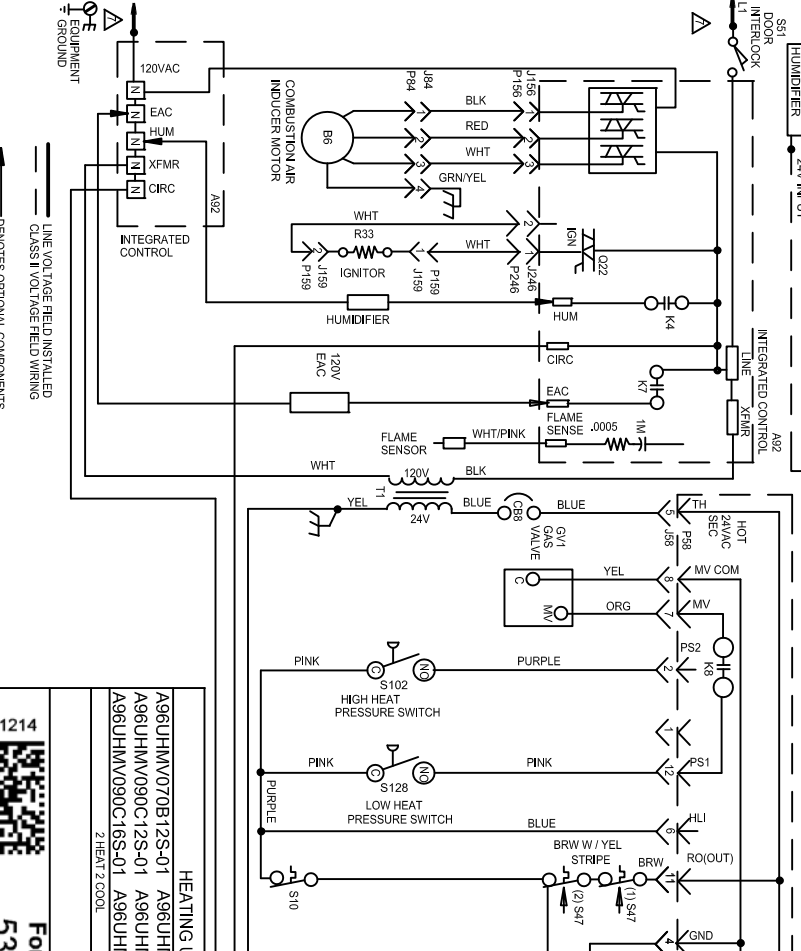
L13 USED ON 3/4 AND 1 HP ONLY
 DIP SWITCH FACTORY DEFAULT IS FOR A TWO STAGE THERMOSTAT
 FIELD SUPPLIED AC WIRE
 USE COPPER CONDUCTORS ONLY
 DISCHARGE AND OUTDOOR AIR TERMINALS ARE FOR FUTURE USE ONLY
 DH AND L TERMINALS NOT USED 24V POWER PROVIDED FOR OPTIONAL HUMIDIFIER DURING HEAT DEMAND

JACKPLUG CHART

J146	JACKPLUG-CONTROL VARIABLE SPEED
J148 <td>JACKPLUG-MOTOR VARIABLE SPEED</td>	JACKPLUG-MOTOR VARIABLE SPEED
J149 <td>JACKPLUG-MOTOR VARIABLE SPEED</td>	JACKPLUG-MOTOR VARIABLE SPEED
J147 <td>JACKPLUG-BURNER CONTROL</td>	JACKPLUG-BURNER CONTROL
J145 <td>JACKPLUG-INDOOR BLOWER MOTOR</td>	JACKPLUG-INDOOR BLOWER MOTOR
J159 <td>JACKPLUG-IGNITOR</td>	JACKPLUG-IGNITOR
J144 <td>JACKPLUG-BOARD IGNITION</td>	JACKPLUG-BOARD IGNITION



THERMOSTAT HEAT ANTICIPATION SETTING
 CUT W914 JUMPER LABELED 'DENHUM' FROM DS TO R AT A92 CONTROL BOARD. WHEN USED WITH THERMOSTAT WITH DENHUM OPTION
 CUT W951 JUMPER FROM O TO R LABELED 'HEAT PUMP' AT A92 CONTROL BOARD. WHEN USED FOR DUAL FUEL APPLICATIONS, JUMPER W915 FROM Y1 TO Y2 IS FACTORY INSTALLED AT A92 CONTROL BOARD. LEAVE IN FOR ONE STAGE FUEL THERMOSTAT, CUT JUMPER Y1 TO Y2 FOR TWO STAGE COOL THERMOSTAT



HEATING UNITS-GAS
 A96UJHMV070B12S-01 A96UJHMV090C20S-01
 A96UJHMV090C12S-01 A96UJHMV110C20S-01
 A96UJHMV090C16S-01 A96UJHMV135D20S-01
 2 HEAT 2 COOL
 Form No. 537384-01
 1214
 2010

WARNING: ELECTRICAL SHOCK HAZARD CAN CAUSE INJURY OR DEATH. UNIT MUST BE GROUNDED IN ACCORDANCE WITH NATIONAL AND LOCAL CODES.
NOTE: WIRE IN THIS APPLIANCE IS REPLACED IT MUST BE REPLACED WITH SAME OR EQUAL AMPERE RATING, INSULATION THICKNESS, AND TERMINATION.