

UNIT	FACTORY SHIPPED SETTINGS		
	HEAT	COOL	ADJUST
070B12S-01	2	4	NORM
090C16S-01	2	4	NORM
090C20S-01	2	4	NORM
110C20S-01	2	4	NORM

CODE DN	FURNACE MODEL	INDOOR BWR MOTOR HP SIZE
7	070B12S-01	1/2
9	090C16S-01	3/4
0	090C20S-01	1
11	110C20S-01	1

NOTE: SEE INSTALLATION INSTRUCTIONS FOR PROCEDURE TO SET CORRECT BLOWER SPEED FOR SPECIFIC COOLING TONNAGE BEING APPLIED, AND HEATING TEMPERATURE RISE DESIRED.

TYPICAL SYSTEM SHOWN FOR 2 HEAT/2 COOL WITH A CONVENTIONAL THERMOSTAT. SEE INSTALLATION INSTRUCTIONS FOR CONNECTIONS TO OTHER EQUIPMENT AND ACCESSORIES.

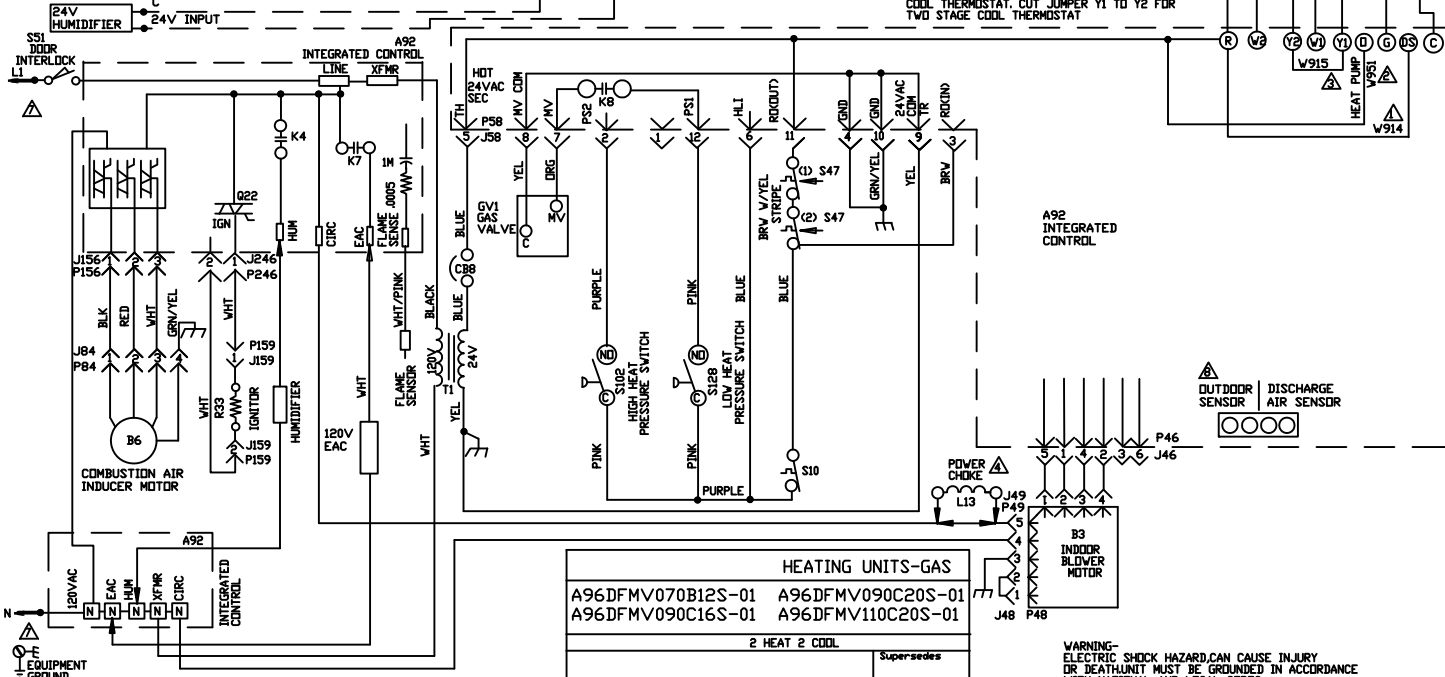
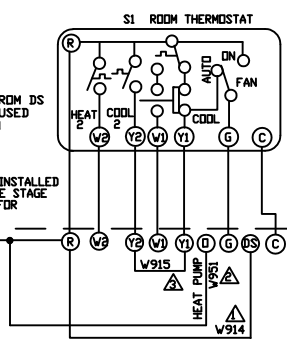
A TWO STAGE THERMOSTAT MUST BE USED WITH THIS FURNACE IN MODULATING CAPACITY MODE. REFER TO INSTALLATION INSTRUCTIONS FOR MORE INFORMATION ON RECOMMENDED TYPES OF THERMOSTATS AND SETTINGS FOR OPTIMAL PERFORMANCE.

J246	JACK/PLUG-CONTROL, VARIABLE SPEED
J156	JACK/PLUG-MOTOR, VARIABLE SPEED
J246	JACK/PLUG-MOTOR, VARIABLE SPEED
J156	JACK/PLUG-BURNER CONTROL
J84	JACK/PLUG-COMB. AIR INDUCER
J156	JACK/PLUG-INDUCER/IGNITOR
J159	JACK/PLUG-IGNITOR
J246	JACK/PLUG-BOARD IGNITION

THERMOSTAT HEAT ANTICIPATION SETTING
 1.5 AMP HONEYWELL VALVE

- ▲ CUT W914 JUMPER LABELED "DEHUM" FROM DS TO R, AT A92 CONTROL BOARD, WHEN USED WITH THERMOSTAT WITH DEHUM OPTION
- ▲ CUT W951 JUMPER FROM O TO R, LABELED "HEAT PUMP", AT A92 CONTROL BOARD, WHEN USED FOR DUAL FUEL APPLICATIONS.
- ▲ JUMPER W915 FROM Y1 TO Y2 IS FACTORY INSTALLED AT A92 CONTROL BOARD. LEAVE IN FOR ONE STAGE COOL THERMOSTAT. CUT JUMPER Y1 TO Y2 FOR TWO STAGE COOL THERMOSTAT

- ▲ L13 USED ON 3/4 AND 1 HP ONLY
- ▲ FACTORY DEFAULT IS FOR A 2 STAGE THERMOSTAT
- ▲ FIELD SUPPLIED ACC WIRE
- ▲ USE COPPER CONDUCTORS ONLY
- ▲ DISCHARGE AND OUTDOOR AIR TERMINALS ARE FOR FUTURE USE ONLY
- ▲ DH AND L TERMINALS NOT USED
- ▲ 24V POWER PROVIDED FOR OPTIONAL HUMIDIFIER DURING HEAT DEMAND



A96DFMV070B12S-01	A96DFMV090C20S-01
A96DFMV090C16S-01	A96DFMV110C20S-01

2 HEAT 2 COOL

WARNING- ELECTRIC SHOCK HAZARD, CAN CAUSE INJURY OR DEATH. UNIT MUST BE GROUNDED IN ACCORDANCE WITH NATIONAL AND LOCAL CODES.

NOTE: IF ANY WIRE IN THIS APPLIANCE IS REPLACED, IT MUST BE REPLACED WITH WIRE OF LIKE SIZE, RATING, INSULATION THICKNESS, AND TERMINATION.

Form No. 537385-01

1214

© 2010 Litho U.S.A.