

BLOWER SPEED CHART

UNIT	FACTORY CONNECTED SPEED TAPS			MOTOR SPEEDS AVAIL.
	COOL	HEAT	PARK	
045P24B	YELLOW	BLACK, RED		4
045P36B	RED	BLACK, YELLOW		4
070P24B	BLACK	YELLOW, RED		4
090P36C	YELLOW	BLACK, RED		4
090P48C	YELLOW	BLACK, RED		4
110P48C	BLACK	YELLOW, RED		4
110P60C	YELLOW	BLACK, RED		4
135P60D	YELLOW	BLACK, RED		4

BLOWER SPEED SELECTION

HI ← → LO

SPEED TAPS	BLACK	BROWN	YELLOW	RED	4
------------	-------	-------	--------	-----	---

THERMOSTAT HEAT ANTICIPATION SETTINGS

.65 AMP	HONEYWELL VALVE
.50 AMP	WHITE-RODGERS VALVE

JACKPLUG CHART

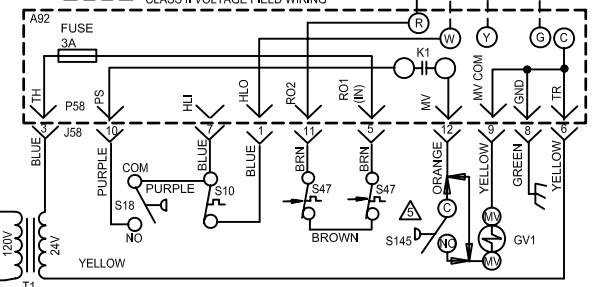
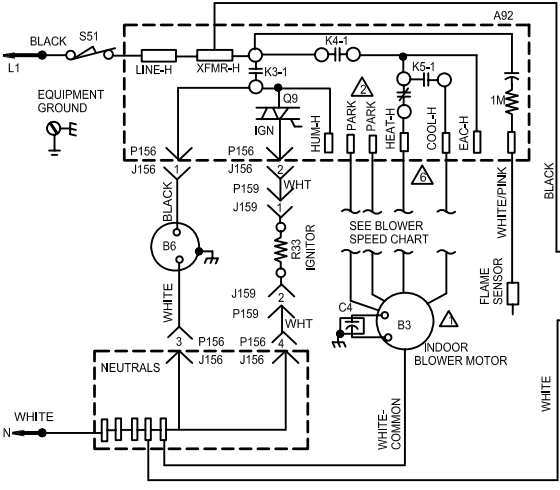
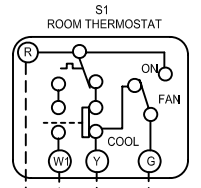
J P58	JACK/PLUG-BURNER CONTROL
J P156	JACK/PLUG-INDUCER/IGNITER
J P159	JACK/PLUG-IGNITER

WARNING-
ELECTRIC SHOCK HAZARD, CAN CAUSE INJURY OR DEATH. UNIT MUST BE GROUNDED IN ACCORDANCE WITH NATIONAL AND LOCAL CODES

NOTE-
IF ANY WIRE IN THIS APPLIANCE IS REPLACED, IT MUST BE REPLACED WITH WIRE OF LIKE SIZE, RATING, INSULATION THICKNESS AND TERMINATION

- ⚠ **IMPORTANT-**
TO PREVENT MOTOR BURNOUT, NEVER CONNECT MORE THAN ONE LEAD TO ANY ONE CONNECTION
- ⚠ **PARK** TERMINALS ARE UNPOWERED TERMINALS. ALL UNUSED MOTOR LEADS MUST BE WIRED TO A PARK TERMINAL
- ⚠ **FIELD SUPPLIED ACC. WIRE**
- ⚠ **DO NOT USE RED (LOW SPD) MOTOR LEAD FOR HEATING, LEAVE ON PARK TERMINAL FOR 070P24B, 090P36C, 110P48C AND 135P60D UNITS**
- ⚠ **S145 IS USED WITH HONEYWELL GAS VALVE WHEN APPLIED IN LP GAS UNITS**
- ⚠ **HEAT/COOL JUMPER PRESENT ON SOME MODELS**

← DENOTES OPTIONAL COMPONENTS
 → LINE VOLTAGE FIELD INSTALLED
 → CLASS II VOLTAGE FIELD WIRING



LENNOX HEATING UNITS-GAS

ML193UH045P24B	ML193UH090P48C
ML193UH045P36B	ML193UH110P48C
ML193UH070P24B	ML193UH110P60C
ML193UH070P36B	ML193UH135P60D
ML193UH090P36C	

Supersedes
0311 **537328-01**



New Form No.
537397-01