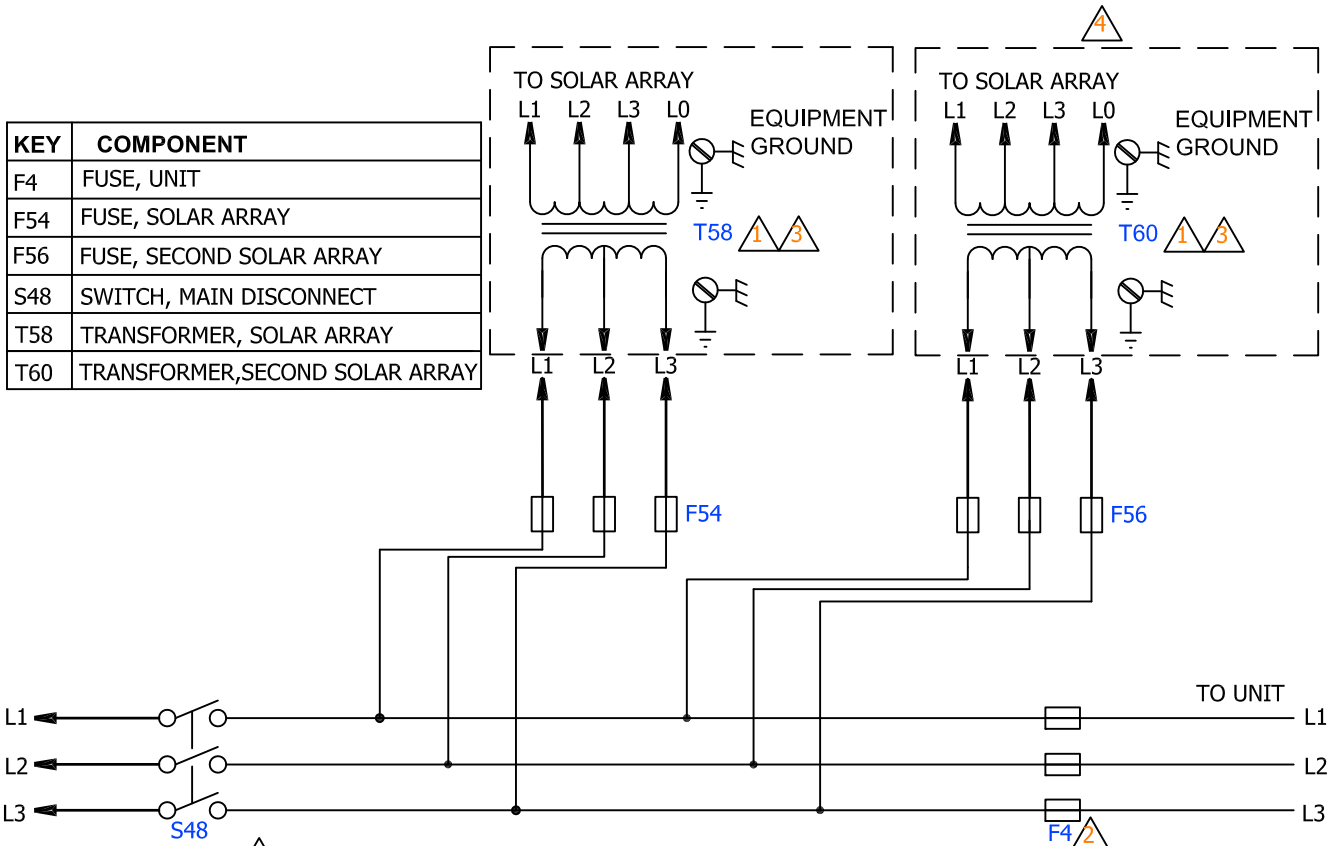







KEY	COMPONENT
F4	FUSE, UNIT
F54	FUSE, SOLAR ARRAY
F56	FUSE, SECOND SOLAR ARRAY
S48	SWITCH, MAIN DISCONNECT
T58	TRANSFORMER, SOLAR ARRAY
T60	TRANSFORMER, SECOND SOLAR ARRAY



-  L3 USED ON 3 PHASE UNITS ONLY
-  F4 USED ON LGH UNITS ONLY
-  T58, T60 USED ON 460 VOLT UNITS AND 230V DELTA. T58, T60 MOUNTS EXTERNAL TO ROOFTOP UNIT
-  LCH / LGH 156 - 300S MODELS ONLY

08/14		WIRING DIAGRAM	08/14
		537406-01	
ACCESSORIES			
SUNSOURCE SOLAR DISCONNECT OPTION FOR LCH, LGH EMERGENCY UNITS			
SECTION F			REV. 1
Supersedes		New Form No. 537406-01	