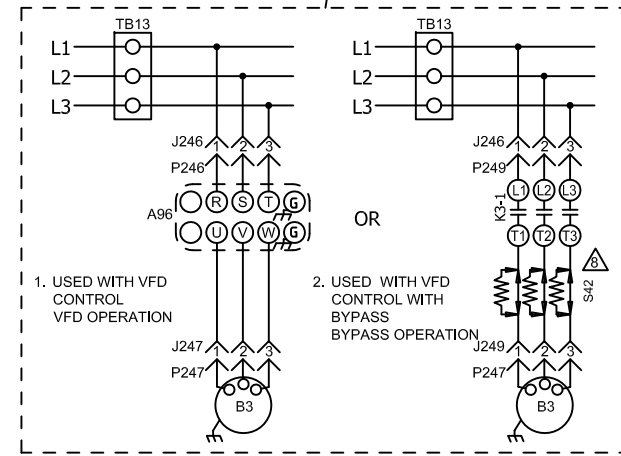


24V POWER

24V COMMON

KEY	COMPONENT
A42	MONITOR, PHASE PROTECTION
A96	CONTROL INVERTER
A171	SENSOR ONE, SMOKE, RETURN AIR
A172	SENSOR TWO, SMOKE, SUPPLY AIR
A173	MODULE, CONTROL SMOKE DETECTION
A183	CONTROL, VFD BOARD
B1	COMPRESSOR 1
B2	COMPRESSOR 2
B3	MOTOR, BLOWER
B4	MOTOR, OUTDOOR FAN 1
B5	MOTOR, OUTDOOR FAN 2
B10	MOTOR, EXHAUST FAN 1
B11	MOTOR, EXHAUST FAN 2
B21	MOTOR, OUTDOOR FAN 3
B22	MOTOR, OUTDOOR FAN 4
C1	CAPACITOR, OUTDOOR FAN 1
C2	CAPACITOR, OUTDOOR FAN 2
C6	CAPACITOR, EXHAUST FAN 1
C8	CAPACITOR, EXHAUST FAN 2
C18	CAPACITOR, OUTDOOR FAN 3
C19	CAPACITOR, OUTDOOR FAN 4
CB8	CIRCUIT, BREAKER T1
CB10	CIRCUIT, BREAKER MAIN DISCONNECT
CB18	CIRCUIT, BREAKER T18
CMC1	TIMER, DEFROST, COMPRESSOR 1
CMC2	TIMER, DEFROST, COMPRESSOR 2
DL46	DELAY, OVERFLOW SWITCH
F6	FUSE, EXHAUST FAN
H2	HEADER 2, LVC1
HR1	HEATER, COMPRESSOR 1
HR2	HEATER, COMPRESSOR 2
J11	JACK, GFI, RECEPTACLE
J261	JACK, SMOKE DETECTOR JUMPER
K1,-1	CONTACTOR, COMPRESSOR 1
K2,-1	CONTACTOR, COMPRESSOR 2
K3,-1	CONTACTOR, BLOWER
K8,-1, 2, 3	RELAY, TRANSFER 1
K10,-1,2	RELAY, OUTDOOR FAN
K58,-1	RELAY, LOW AMBIENT KIT COMP 1
K65,-1, 2	RELAY, EXHAUST FAN 1
K118,-1	RELAY, LOW AMBIENT KIT COMP 2
K149,-1	RELAY, OUTDOOR FAN 3
K216,-1	RELAY, COOL TWO
K203,-2	RELAY, VFD RUN
K220,-1	RELAY, OVERFLOW SWITCH
K232	RELAY, INVERTER PROTECTION
L1	VALVE, REVERSING 1
L2	VALVE, REVERSING 2
S3	SWITCH, LIMIT LOW COMPRESSOR 1
S4	SWITCH, LIMIT HI PRESS COMPRESSOR 1
S6	SWITCH, DEFROST COMPRESSOR 1
S7	SWITCH, LIMIT HI PRESS COMPRESSOR 2
S9	SWITCH, DEFROST COMPRESSOR 2
S11	SWITCH, LOW PRESS. LOW AMBIENT KIT
S30	SWITCH, LIMIT LOW COMPRESSOR 2 TEMP
S42	SWITCH, OVERLOAD RELAY BLOWER MOTOR
S46	SWITCH, DEFROST TERMINATION 1
S48	SWITCH, DISCONNECT
S49	SWITCH, FREEZESTAT 1
S50	CONTACTOR BYPASS
S84	SWITCH, LOW PRESS. LOW AMBIENT KIT COMP 2
S104	SWITCH, DEFROST TERMINATION 2
S149	SWITCH, OVERFLOW
T1	TRANSFORMER, CONTROL
T18	TRANSFORMER, CONTACTOR CONTROL
TB13	TERMINAL STRIP, POWER DISTRIBUTION

J/P	JACK/PLUG DESCRIPTION
2	HEAT
18	EXHAUST FAN COMPT
24	EXHAUST FAN
35	TEST
36	TEST COOL
47	OUTDOOR FAN 1
52	OUTDOOR FAN 2
86	OUTDOOR FANS 1
87	OUTDOOR FANS 2
106	OUTDOOR FAN 3
107	OUTDOOR FAN 4
132	EXHAUST FAN MOTOR 1
133	EXHAUST FAN MOTOR 2
246	POWER TO VFD
247	POWER VFD TO MOTOR
248	VFD CONTROL
249	CONTACTOR BYPASS
250	SMOKE DETECTOR ONE
251	SMOKE DETECTOR ONE
252	SMOKE DETECTOR TWO
253	SMOKE DETECTOR TWO
255	MODULE, CONTROL SMOKE DETECTION
324	VFD OPTION CONNECTION
J325	K3 BLOWER CONTROL
J326	VFD CONTROL ADD-ON
P327	VFD CONTROL ADD-ON
P328	VFD BLOWER CONTROL



LANDMARK C-BOX
WIRING DIAGRAM

HEAT/COOL

KHA - 180, 240 - G, J, Y - VFD UNITS

SECTION B

Supersedes: New Form No. 537414-01

REV 0