

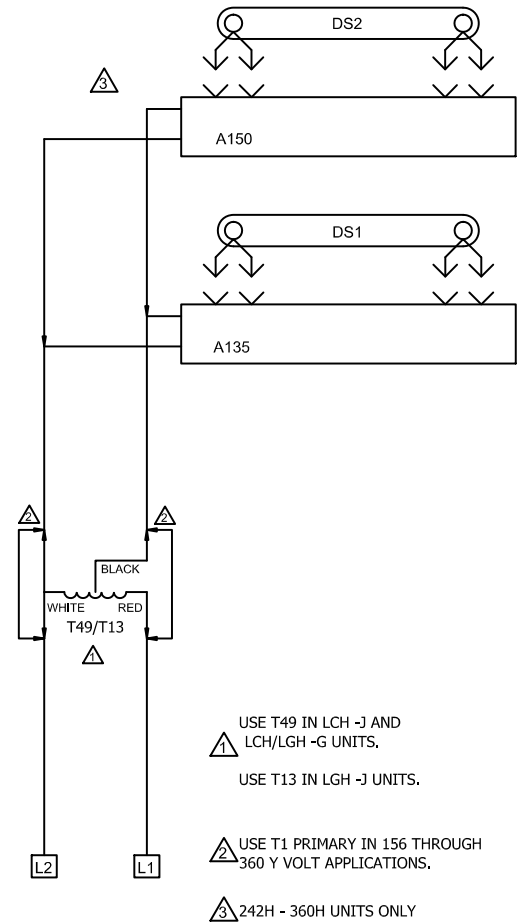
KEY	COMPONENT
A135	BALLAST, ELECTRONIC
A150	BALLAST, ELECTRONIC 2
DS1	LIGHT, UV
DS2	LIGHT, UV 2
T1	TRANSFORMER, UNIT
T13	TRANSFORMER, CAB
T49	TRANSFORMER, UV LIGHT

NOTE - ALL REMAINING WIRES FACTORY INSTALLED

← DESIGNATES OPTIONAL WIRING
 — LINE VOLTAGE FIELD INSTALLED
 NEC/CEC CLASS 1

01/12	WIRING DIAGRAM	01/12
537418-01		
ACCESSORIES		
UVC LAMP		
UVC - 1 - G, J, Y		
Supersedes	New Form No.	
	537418-01	

© 2012 Lennox Commercial



KEY	COMPONENT
A135	BALLAST, ELECTRONIC
A150	BALLAST, ELECTRONIC 2
DS1	LIGHT, UV
DS2	LIGHT, UV 2
T1	TRANSFORMER, UNIT
T13	TRANSFORMER, CAB
T49	TRANSFORMER, UV LIGHT

NOTE - ALL REMAINING WIRES FACTORY INSTALLED

← DESIGNATES OPTIONAL WIRING
 — LINE VOLTAGE FIELD INSTALLED
 NEC/CEC CLASS 1

01/12	WIRING DIAGRAM	01/12
537418-01		
ACCESSORIES		
UVC LAMP		
UVC - 1 - G, J, Y		
Supersedes	New Form No.	
	537418-01	

© 2012 Lennox Commercial