

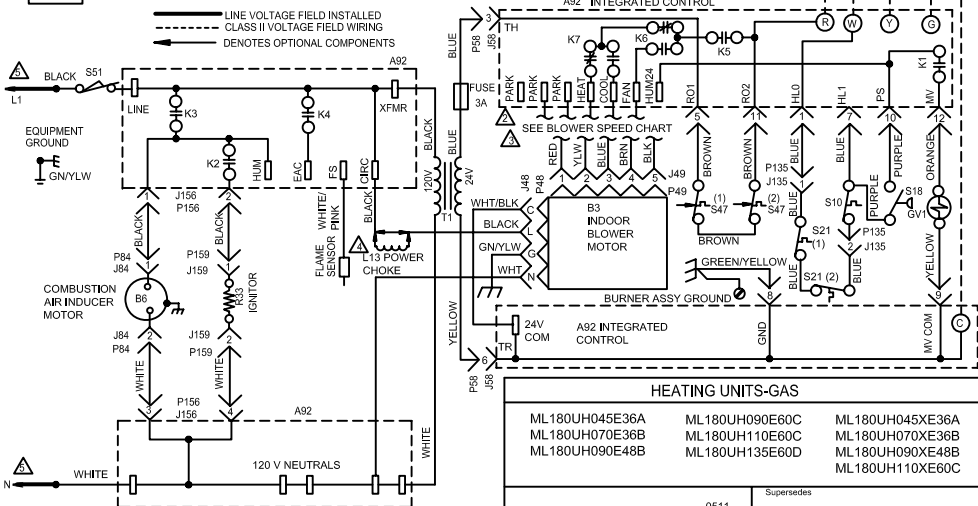
BLOWER SPEED CHART					
FACTORY CONNECTED SPEED TAPS					
UNIT	COOL	HEAT	FAN	PARK	
045(X)E36A					
070(X)E36B	BLACK	BLUE	RED	BROWN,YELLOW	
090(X)E48B					
090E60C					
110(X)E60C	BROWN	BLUE	RED	BLACK,YELLOW	
135E60D					
HI ← BLOWER SPEED SELECTION → LO					
SPEED TAPS	BLACK	BROWN	BLUE	YELLOW	RED

JACK/PLUG CHART	
J.P48	JACK/PLUG-INDOOR BLOWER-POWER
J.P49	JACK/PLUG-INDOOR BLOWER-SPD TAP
J.P58	JACK/PLUG-BURNER CONTROL
J.P84	JACK/PLUG-COMB AIR INDUCER
J.P135	JACK/PLUG-SECONDARY LIMIT (S)
J.P156	JACK/PLUG-INDUCER/IGNITER
J.P159	JACK/PLUG-IGNITION

NOTE: IF ANY WIRE IN THIS APPLIANCE IS REPLACED, IT MUST BE REPLACED WITH WIRE OF LIKE SIZE, RATING, INSULATION THICKNESS AND TERMINATION.

- ⚠ 'R' REQUIRED ON SOME OUTDOOR UNITS
- ⚠ PARK TERMINALS ARE UNPOWERED TERMINALS. ALL UNUSED MOTOR LEADS MUST BE WIRED TO A PARK TERMINAL.
- ⚠ DO NOT USE RED (LOW SPEED) MOTOR LEAD FOR HEATING SPEED ON 045(X)E36A, 070(X)E36B, 110(X)E60C AND 135E60D UNITS. RESULTING TEMPERATURE RISE WILL BE OUTSIDE OF RISE RANGE.
- ⚠ L13 POWER CHOKE USED ON  $\frac{1}{2}$  AND 1 HP ONLY
- ⚠ USE COPPER CONDUCTORS ONLY.

THERMOSTAT HEAT ANTICIPATION SETTINGS	
.65 AMP	HONEYWELL VALVE
.50 AMP	WHITE-RODGERS VALVE



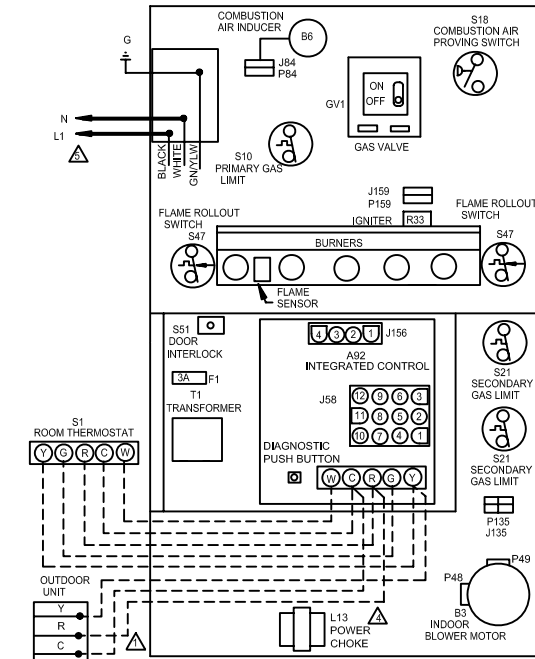
HEATING UNITS-GAS		
ML180UH045E36A	ML180UH090E60C	ML180UH045XE36A
ML180UH070E36B	ML180UH110E60C	ML180UH070XE36B
ML180UH090E48B	ML180UH135E60D	ML180UH090XE48B
		ML180UH110XE60C

Supersedes

0511

New Form No.

537421-01



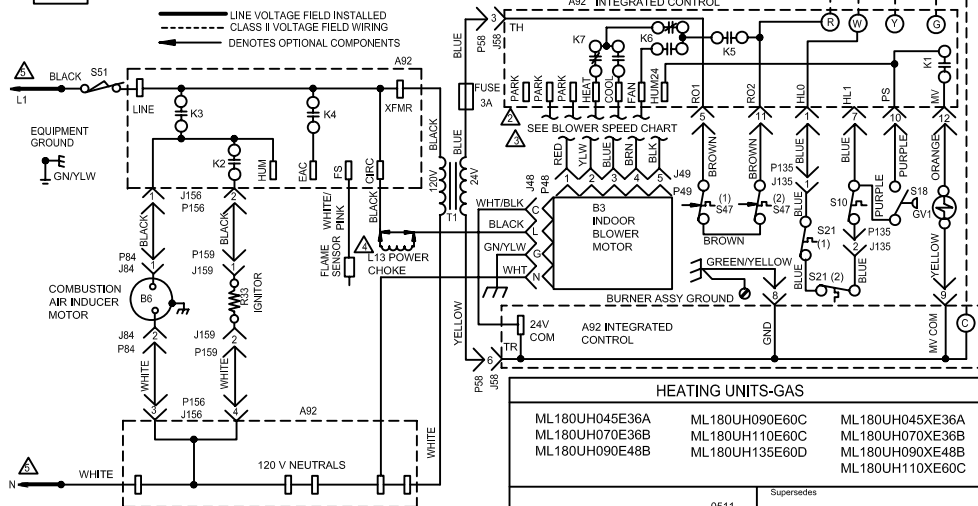
BLOWER SPEED CHART					
FACTORY CONNECTED SPEED TAPS					
UNIT	COOL	HEAT	FAN	PARK	
045(X)E36A					
070(X)E36B	BLACK	BLUE	RED	BROWN,YELLOW	
090(X)E48B					
090E60C					
110(X)E60C	BROWN	BLUE	RED	BLACK,YELLOW	
135E60D					
HI ← BLOWER SPEED SELECTION → LO					
SPEED TAPS	BLACK	BROWN	BLUE	YELLOW	RED

JACK/PLUG CHART	
J.P48	JACK/PLUG-INDOOR BLOWER-POWER
J.P49	JACK/PLUG-INDOOR BLOWER-SPD TAP
J.P58	JACK/PLUG-BURNER CONTROL
J.P84	JACK/PLUG-COMB AIR INDUCER
J.P135	JACK/PLUG-SECONDARY LIMIT (S)
J.P156	JACK/PLUG-INDUCER/IGNITER
J.P159	JACK/PLUG-IGNITION

NOTE: IF ANY WIRE IN THIS APPLIANCE IS REPLACED, IT MUST BE REPLACED WITH WIRE OF LIKE SIZE, RATING, INSULATION THICKNESS AND TERMINATION.

- ⚠ 'R' REQUIRED ON SOME OUTDOOR UNITS
- ⚠ PARK TERMINALS ARE UNPOWERED TERMINALS. ALL UNUSED MOTOR LEADS MUST BE WIRED TO A PARK TERMINAL.
- ⚠ DO NOT USE RED (LOW SPEED) MOTOR LEAD FOR HEATING SPEED ON 045(X)E36A, 070(X)E36B, 110(X)E60C AND 135E60D UNITS. RESULTING TEMPERATURE RISE WILL BE OUTSIDE OF RISE RANGE.
- ⚠ L13 POWER CHOKE USED ON  $\frac{1}{2}$  AND 1 HP ONLY
- ⚠ USE COPPER CONDUCTORS ONLY.

THERMOSTAT HEAT ANTICIPATION SETTINGS	
.65 AMP	HONEYWELL VALVE
.50 AMP	WHITE-RODGERS VALVE



HEATING UNITS-GAS		
ML180UH045E36A	ML180UH090E60C	ML180UH045XE36A
ML180UH070E36B	ML180UH110E60C	ML180UH070XE36B
ML180UH090E48B	ML180UH135E60D	ML180UH090XE48B
		ML180UH110XE60C

Supersedes

0511

New Form No.

537421-01